



**ENLARGED PLAN  
NOTES, LEGEND**

1. WATER CLOSETS SHALL BE MOUNTED 1'-0" FROM THE CENTER OF THE WATER CLOSET TO THE FINISHED SURFACE OF THE SIDE WALL.
2. SINKS AND LAVATORIES SHALL BE 1'-3" MINIMUM FROM THEIR CENTER LINE TO THE FINISHED SURFACE OF THE SIDE WALL.
3. "WALL HUNG" TOILET CHASES FROM FINISH TO FACE OF FINISH SHALL BE 1'-8" FOR BACK-TO-BACK TOILETS AND 1'-4" FOR A SINGLE SIDED CHASE.
4. NOT USED.
5. CENTER VANITY MIRROR AND LIGHT FIXTURE OVER THE LAVATORY.  
(NA @ TA13)
6. FLUSH CONTROLS SHALL BE MOUNTED ON THE OPEN SIDE OF TOILETS, NO MORE THAN 44 INCHES ABOVE FINISHED FLOOR.
7. DIMENSIONS SHOWN ARE CLEAR DIMENSIONS TO THE FACE OF FINIS (UNO).
8. ALL SOAP DISPENSERS TO BE OWNER FURNISHED, CONTRACTOR INSTALLED.
9. FOR ENLARGED TOILET ROOMS, AND RELATED TOILET ACCESSORIES.  
RE: A-500 SERIES.

**ENLARGED PLAN  
NOTES BY NUMBER**

- 1 BUILDING PLACQUE (CFDI), LOCATION TO BE VERIFIED BY OWNER AND ARCHITECT PRIOR TO INSTALLATION
- 2 LINE OF WALL ABOVE

**STAIR DETAILS  
GENERAL NOTES**

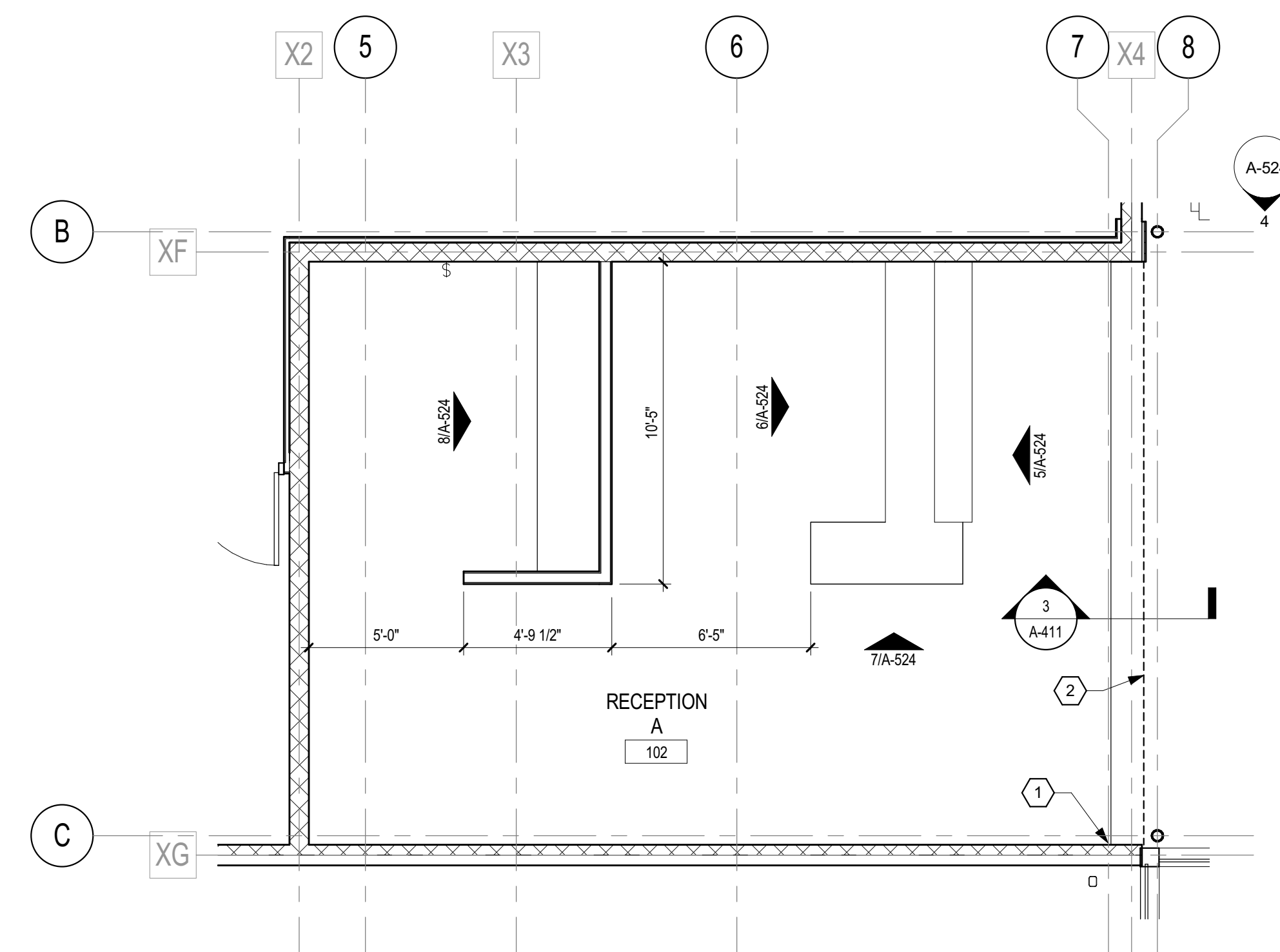
1. STEEL TUBE RAILINGS OF HANDRAILS AND GUARDRAILS TO BE 1 1/4" - 1 3/4" OD UNLESS IT IS GREATER THAN 80" ABOVE THE EDGE OF THE NOSINGS INCLUDING ONE TREAD DEPTH BEYOND THE BOTTOM RISER. THIS MINIMUM HEAD ROOM CLEARANCE SHALL BE MAINTAINED ABOVE LANDINGS.
3. A 4" SPHERE SHALL NOT PASS THROUGH ANY OPENING WITHIN A GUARD. A GUARD EXTENDS FROM TOP OF STRINGER OR CLOSURE PLATE TO THE TOP OF GUARDRAIL.
4. RAIL HEIGHTS ARE PLUMB TO NOSE OF TREADS UNO
5. PICKETS ARE CONVEYED AS 1/2" X 1/2" BAR (BASIS OF DESIGN).
6. VERTICAL GUARDRAILS TO BE EQUALLY SPACE BUT NO GREATER THAN 4'-0" OC MAX

**EQUIPMENT SCHEDULE  
NOTES BY NUMBER**

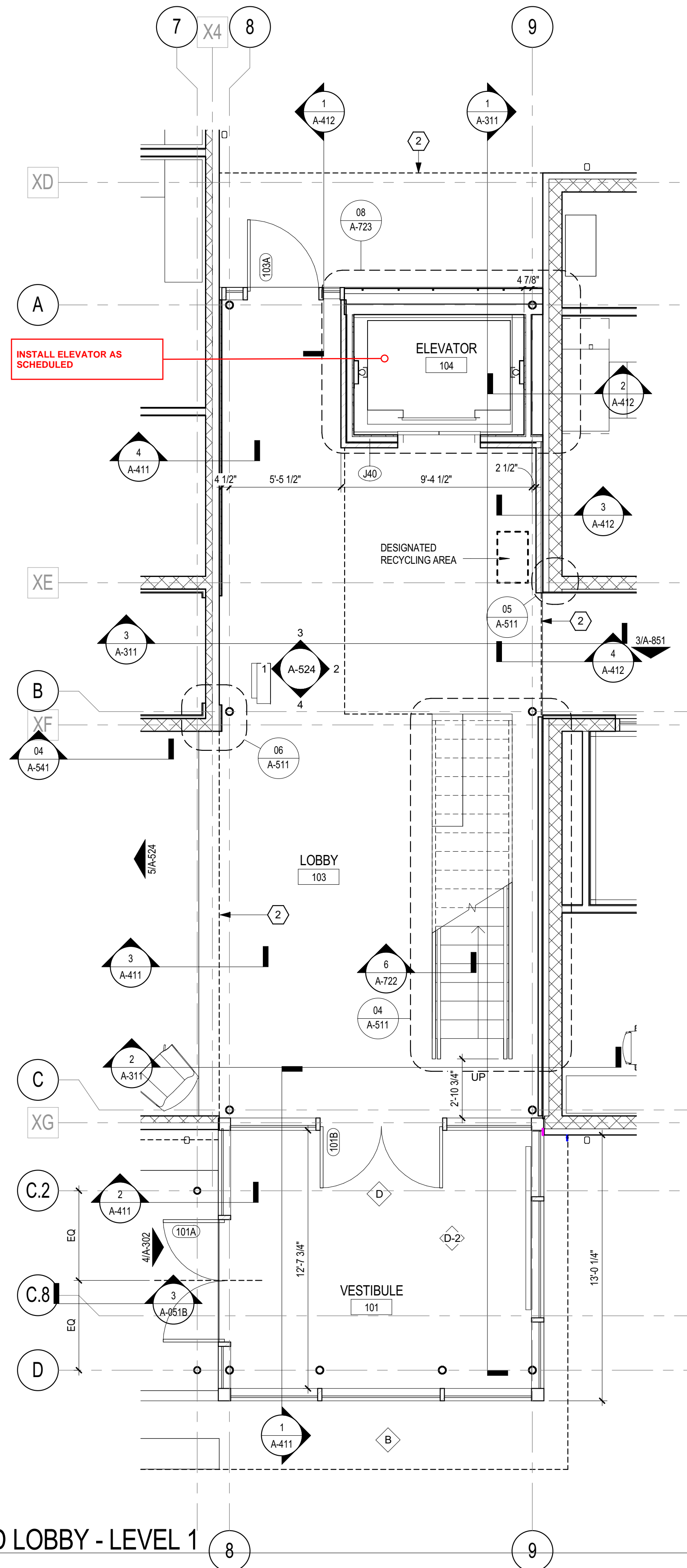
- 1 SINK, BASIS OF DESIGN: ELKAY LUSTERTONE UNDERMOUNT DOUBLE BOWL SINK
- 2 DISHWASHER, ASKO LOGIC DISHWASHER, MODEL NO. D5634XLHS
- 3 REFRIGERATOR, BASIS OF DESIGN: GE MONOGRAM 36" BUILT-IN SIDE BY SIDE REFRIGERATOR
- 4 VENDING MACHINE, O.F.O.I.
- 5 MICROWAVE, BASIS OF DESIGN: GE MONOGRAM MICROWAVE, MODEL NO. ZE2100SF
- 6 COFFEE MAKER, O.F.O.I.
- 7 ABOVE COUNTER ICE MAKER, BASIS OF DESIGN: SYMPHONY 2550 CI SERIES COUNTERTOP

NO	ISSUE	DATE
<b>Sheet Information</b>		
Date	May 25, 2016	
Job Number	146054.000	
Drawn	VBW	
Checked	PLC	
Approved	PLC	
<b>Title</b>		

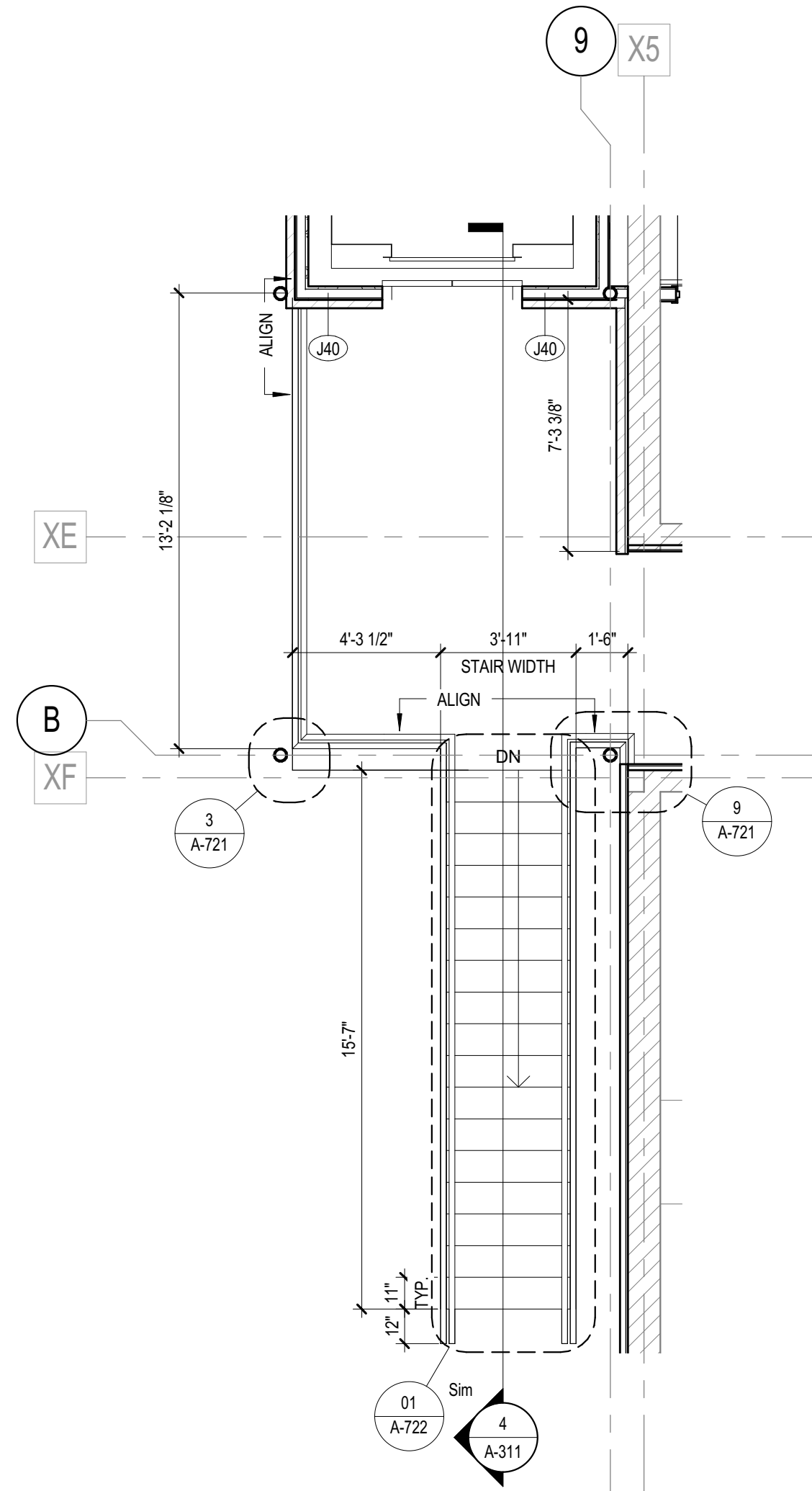
**ENLARGED PLANS**



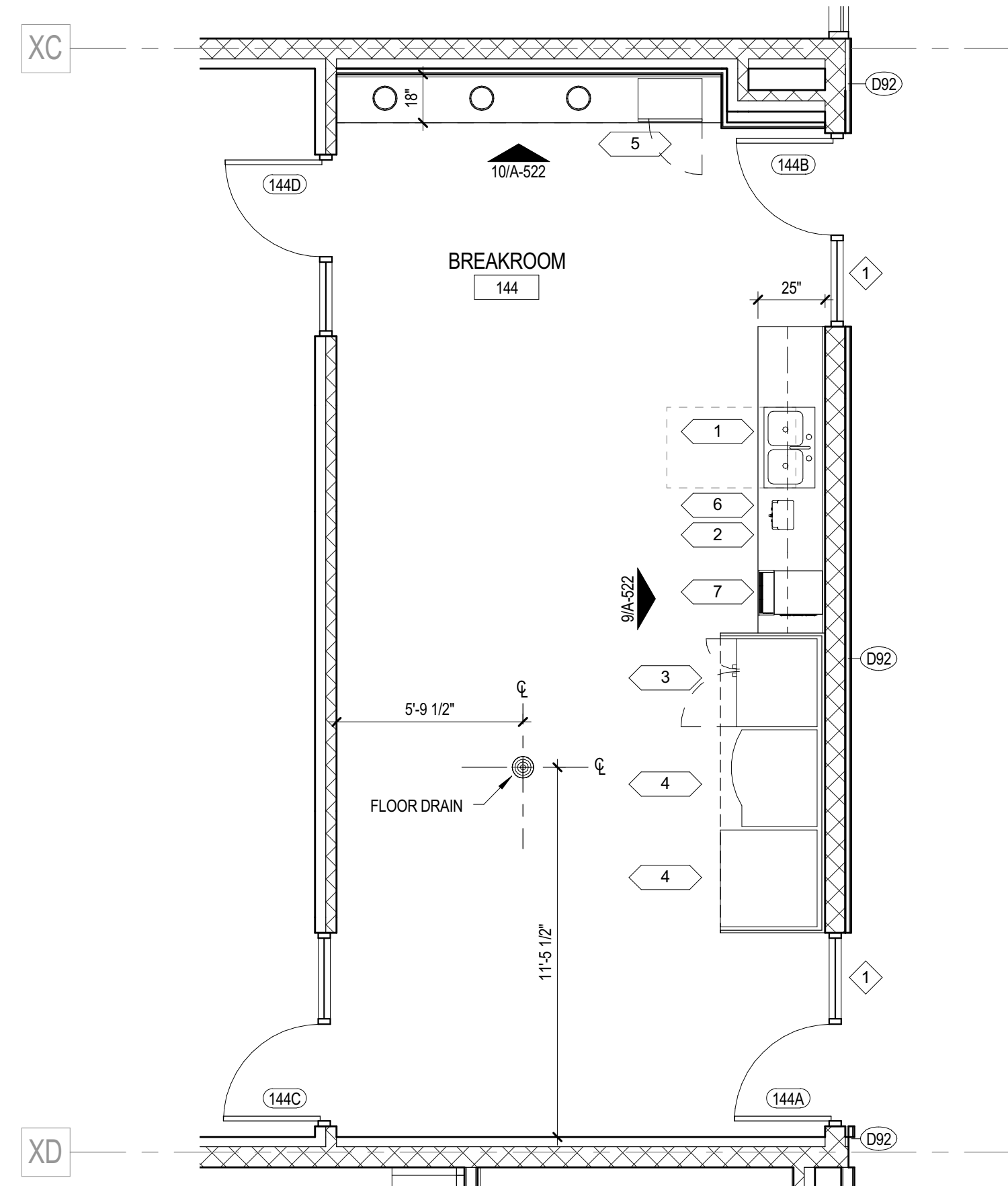
**02 ENLARGED RECEPTION - LEVEL 1**  
1/4" = 1'-0"



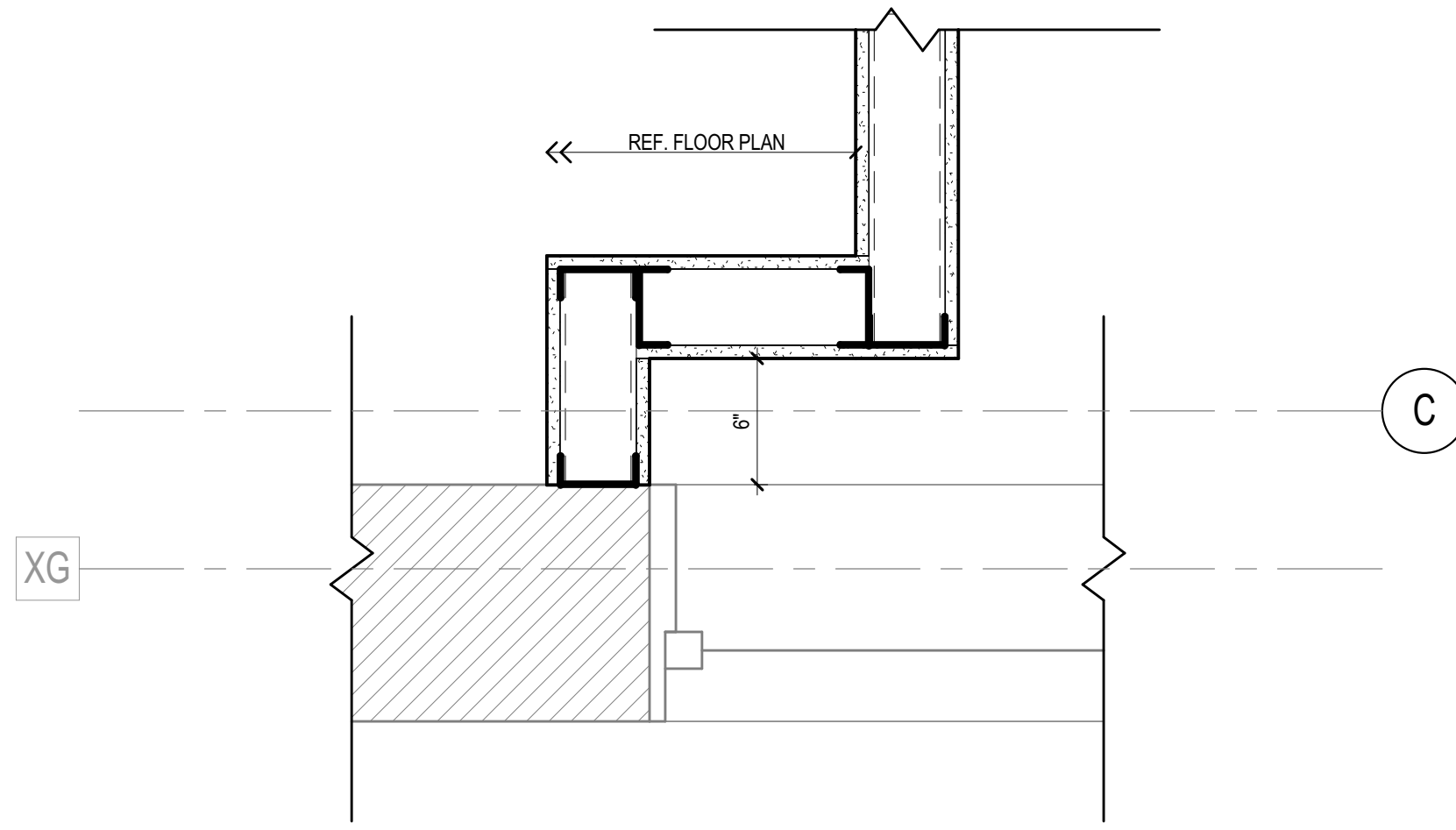
**01 ENLARGED LOBBY - LEVEL 1**  
1/4" = 1'-0"



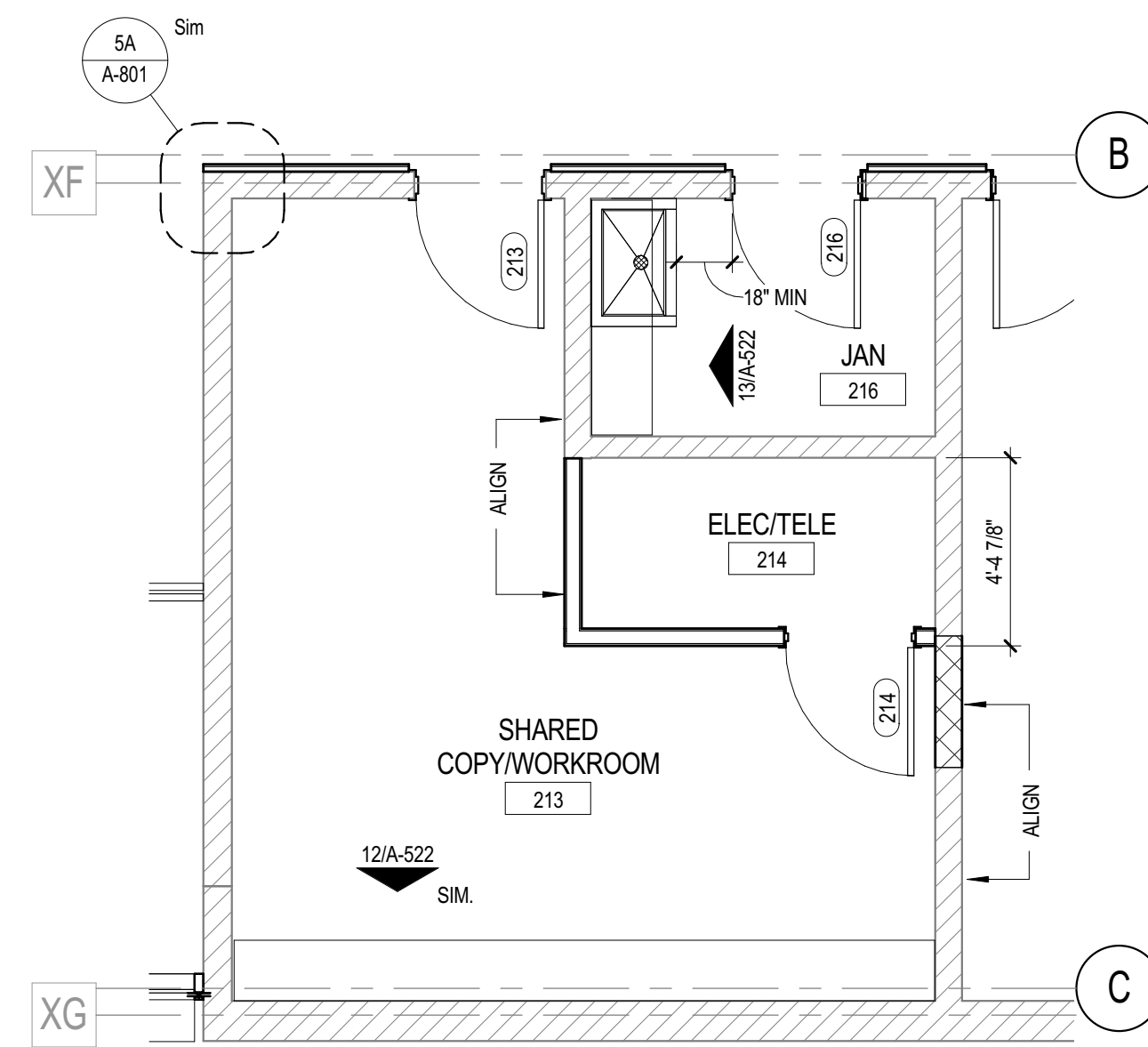
**04 MONUMENTAL STAIR ENLARGED PLAN**  
1/4" = 1'-0"



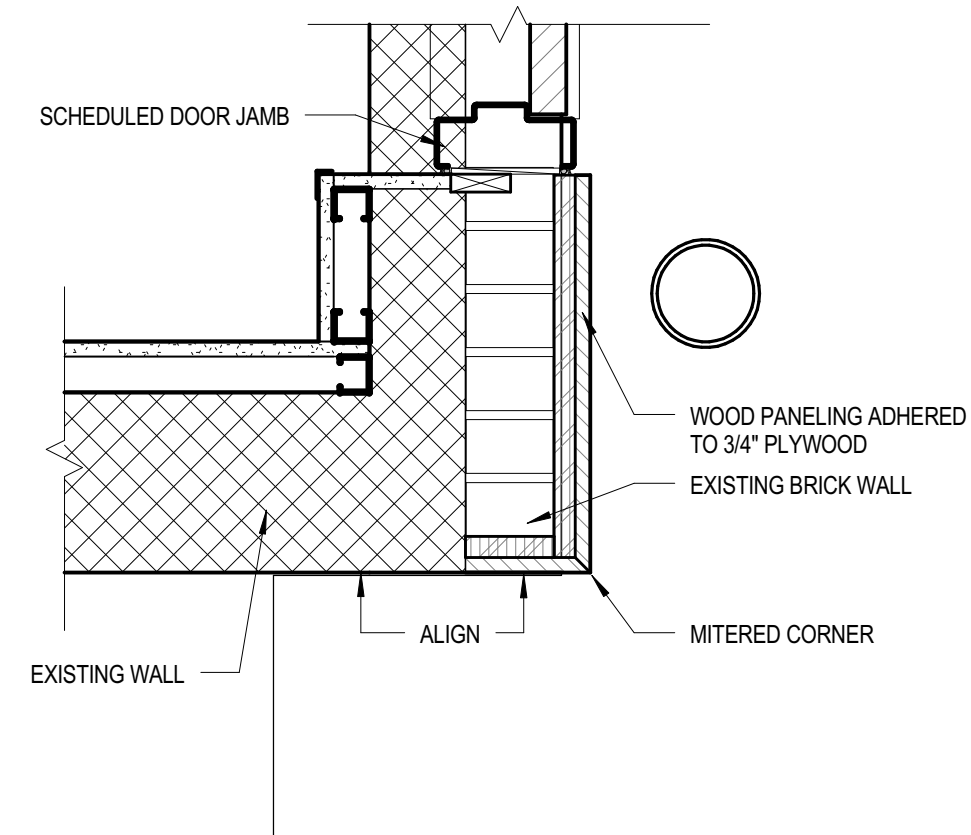
**03 ENLARGED BREAK ROOM - LEVEL 1**  
1/4" = 1'-0"



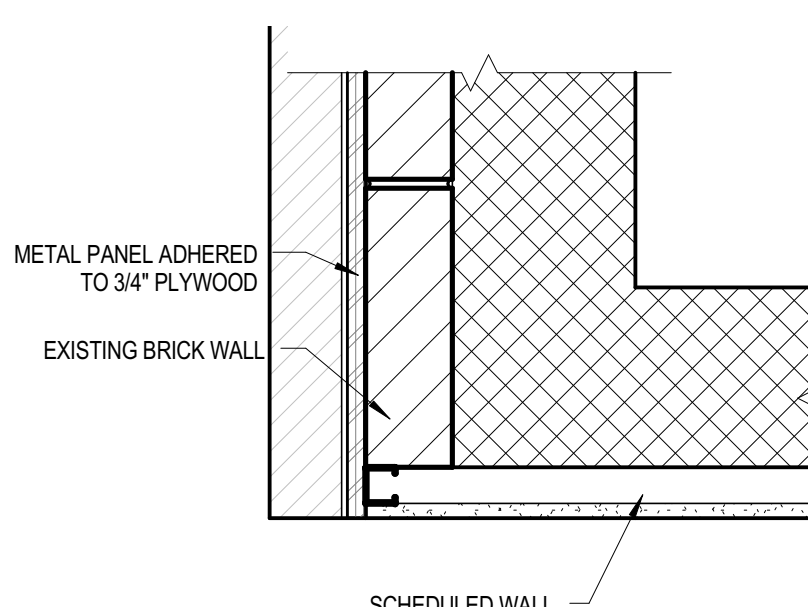
**08 WALL DETAIL**  
1 1/2" = 1'-0"



**07 SHARED COPY/WORKROOM ENLARGED PLAN**  
1/4" = 1'-0"



**06 CORNER AT WOOD PANEL DETAIL**  
1 1/2" = 1'-0"



**05 CORNER AT METAL PANEL DETAIL**  
1 1/2" = 1'-0"