

**SPECIFICATION KEYNOTE LEGEND**

05.122	STEEL BEAM
05.311	COMPOSITE METAL DECK
06.421	WOOD BOARD PANELING
07.223	ROOF INSULATION SUBSTRATE BOARD
07.225	RIGID ROOF INSULATION
07.226	TAPERED RIGID ROOF INSULATION
07.521	HOT-APPLIED MODIFIED BITUMINOUS MEMBRANE ROOFING SYSTEM
08.441	GLAZED ALUMINUM CURTAIN WALL SYSTEM
09.229	4" C-H SHAFT WALL STUDS
09.290	5/8" GYPSUM BOARD
09.294	1" GYPSUM LINER PANEL
09.500	CEILING AS SCHEDULED

**PERKINS  
+ WILL**

10100 North Central Expressway  
Suite 300  
Dallas, Texas 75231  
214.263.6700  
214.263.6701  
www.perkinswill.com

**DALLAS PARK  
AND  
RECREATION  
DEPARTMENT  
ADMINISTRATIVE  
OFFICES**

10031 E. NORTHWEST HWY  
DALLAS, TX 75238

LANDSCAPE

KEVIN SLOAN STUDIO  
2400 EMPIRE CENTRAL, SUITE F  
DALLAS, TX 75226  
MATT STUBBS  
(214) 459-1784

STRUCTURAL

RLG ENGINEERING  
5445 La Sierra SUITE 300  
DALLAS, TX 75231  
ANDY AAYERS  
214.739.8100

MEP

SW ASSOCIATES  
5425 LBJ FVY  
SUITE 300 - LB129  
DALLAS, TX 75240  
CARL HEWETT  
214.397.0211

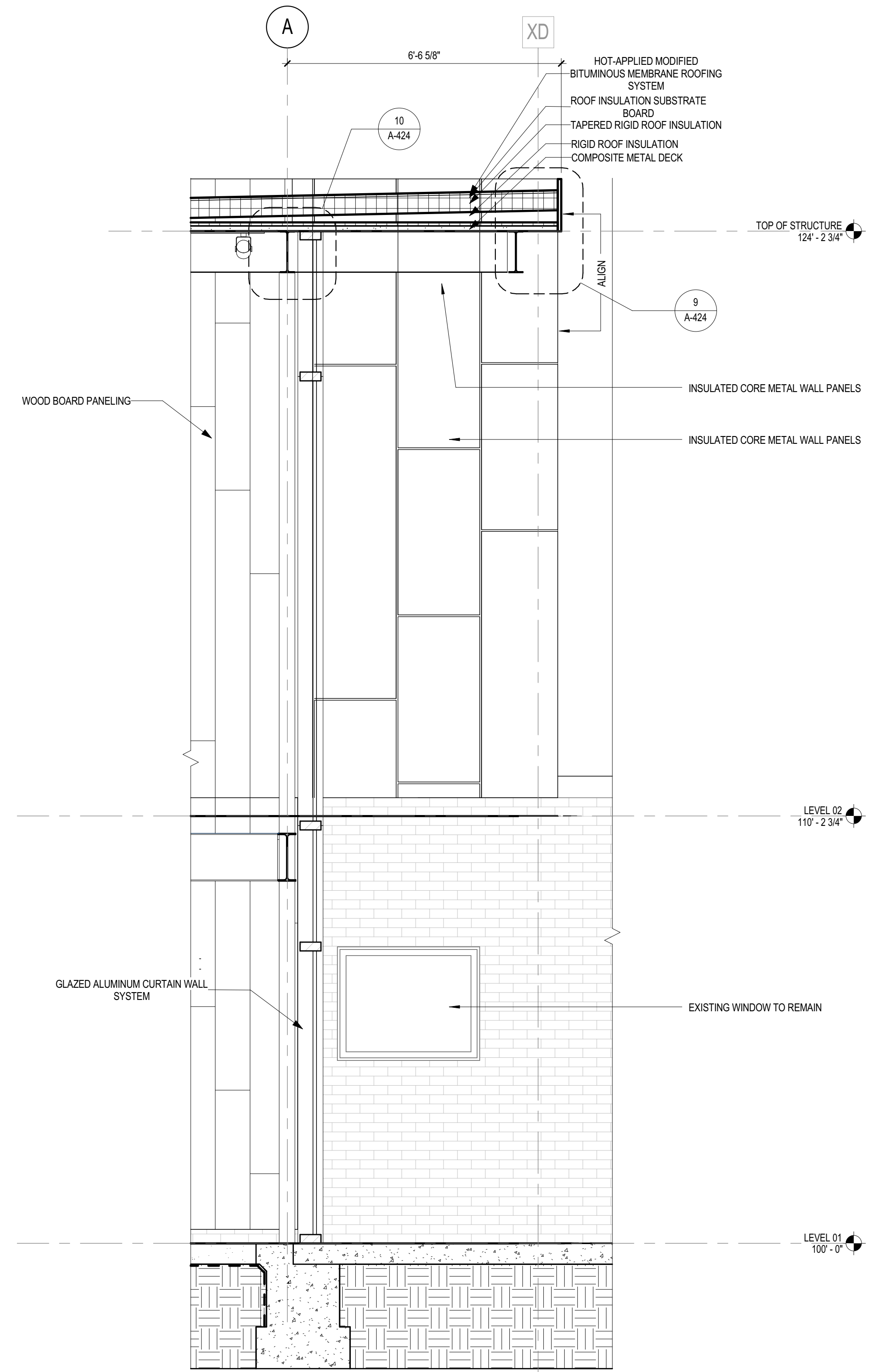


**Revisions**

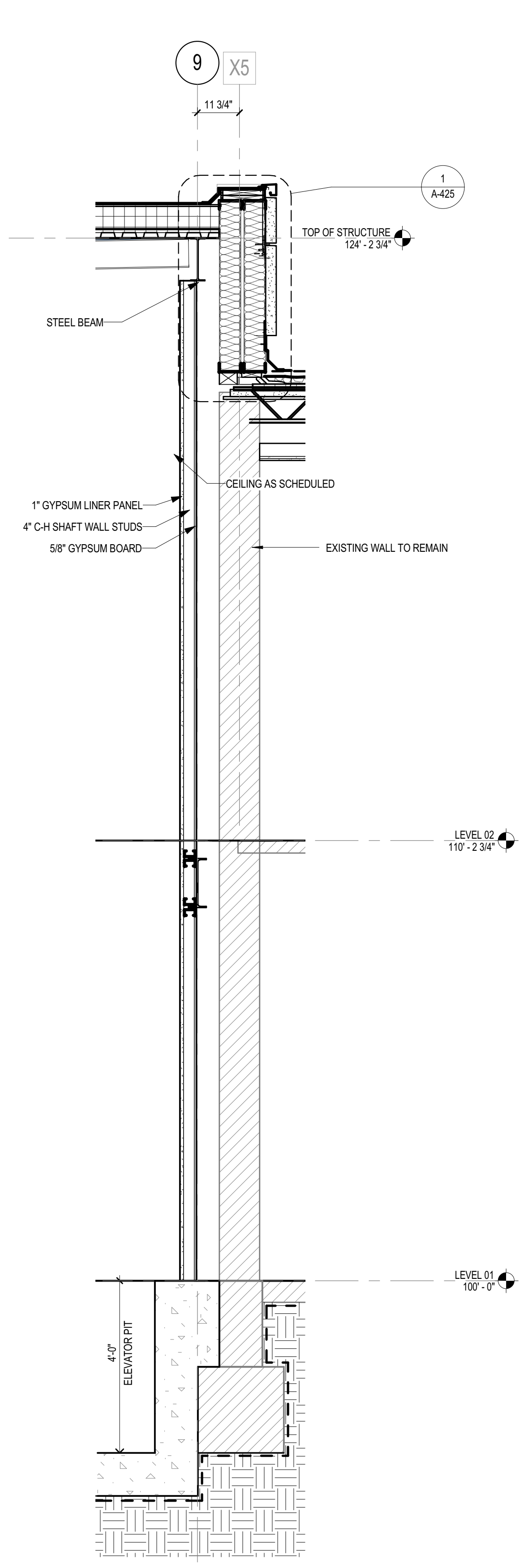
NO	ISSUE	DATE
<b>Sheet Information</b>		
Date	AUGUST 25, 2016	
Job Number	146054.000	
Drawn	Author	
Checked	Checker	
Approved	Approver	
<b>Title</b>		

**EXTERIOR WALL  
SECTIONS**

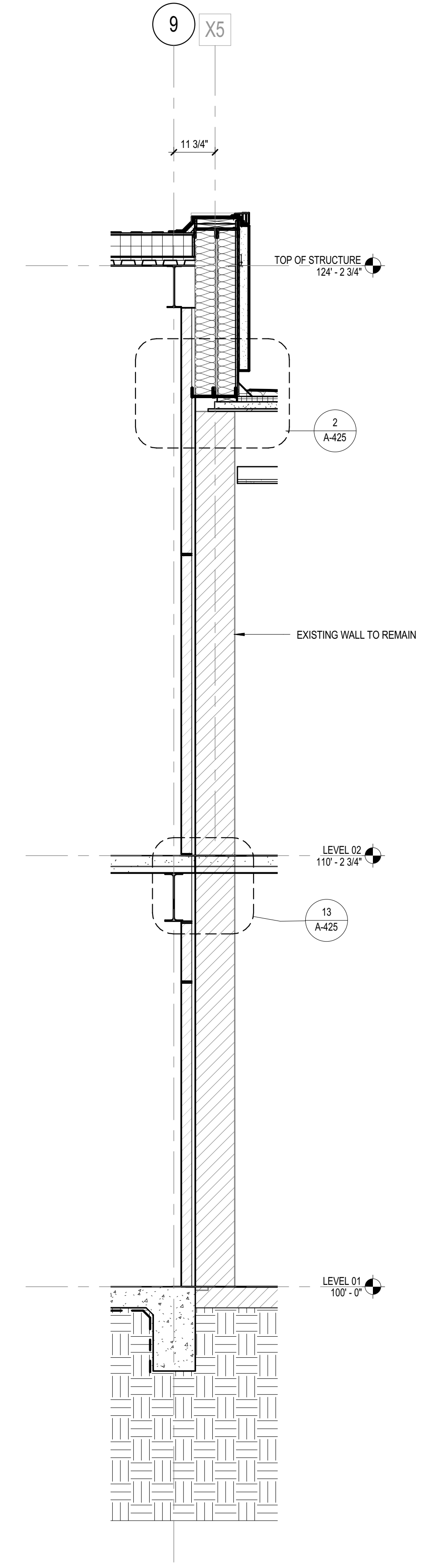
Sheet  
**A-412**



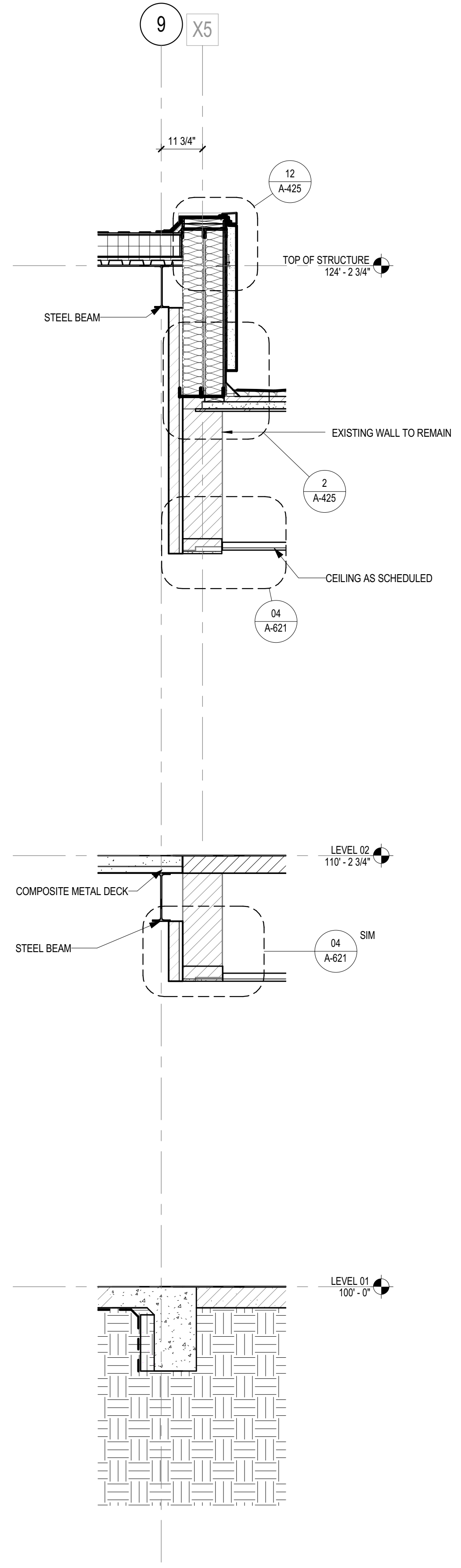
**1 WALL SECTION**  
1/2" = 1'-0"



**2 WALL SECTION**  
1/2" = 1'-0"



**3 WALL SECTION**  
1/2" = 1'-0"



**4 WALL SECTION**  
1/2" = 1'-0"