

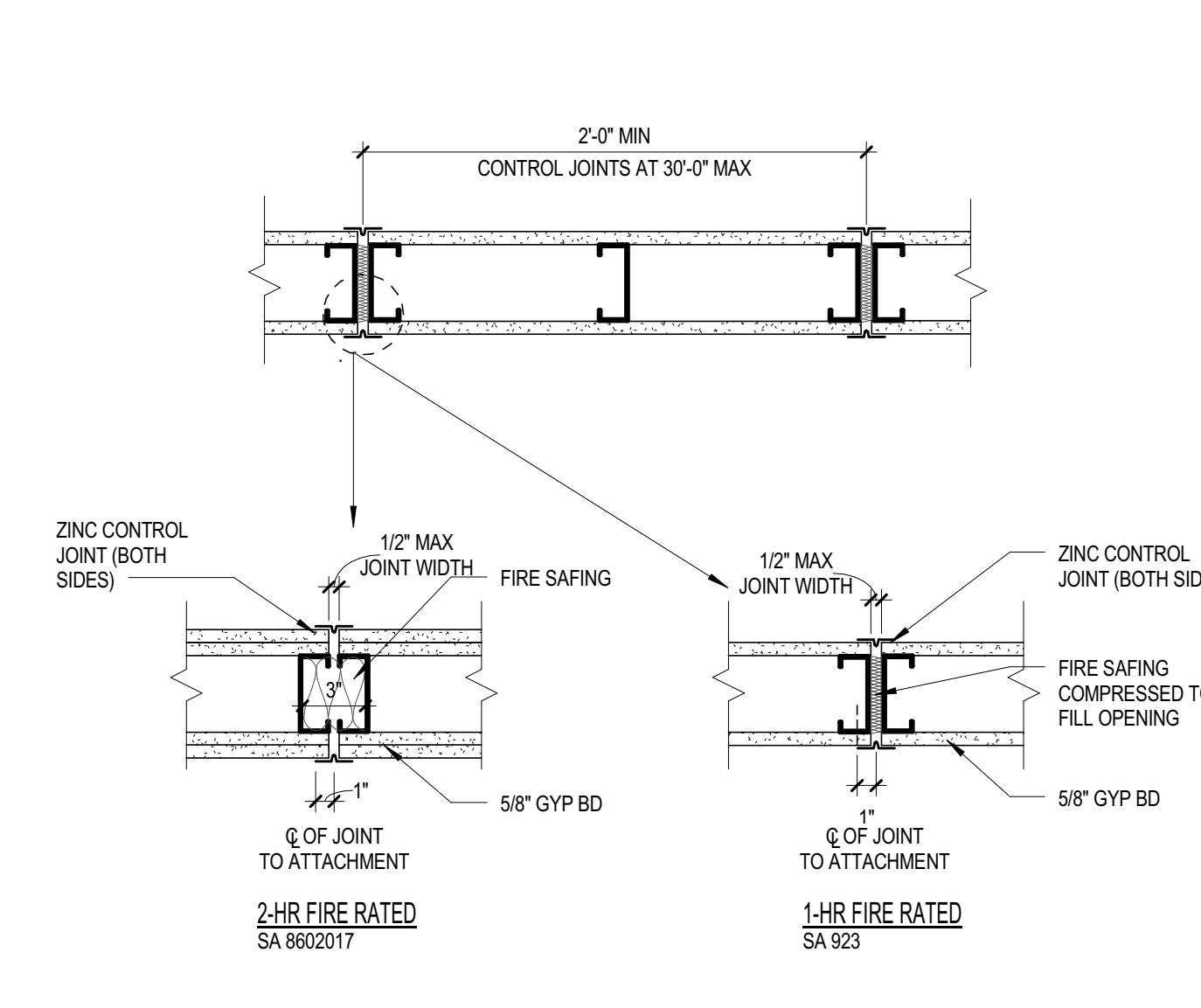


Revisions

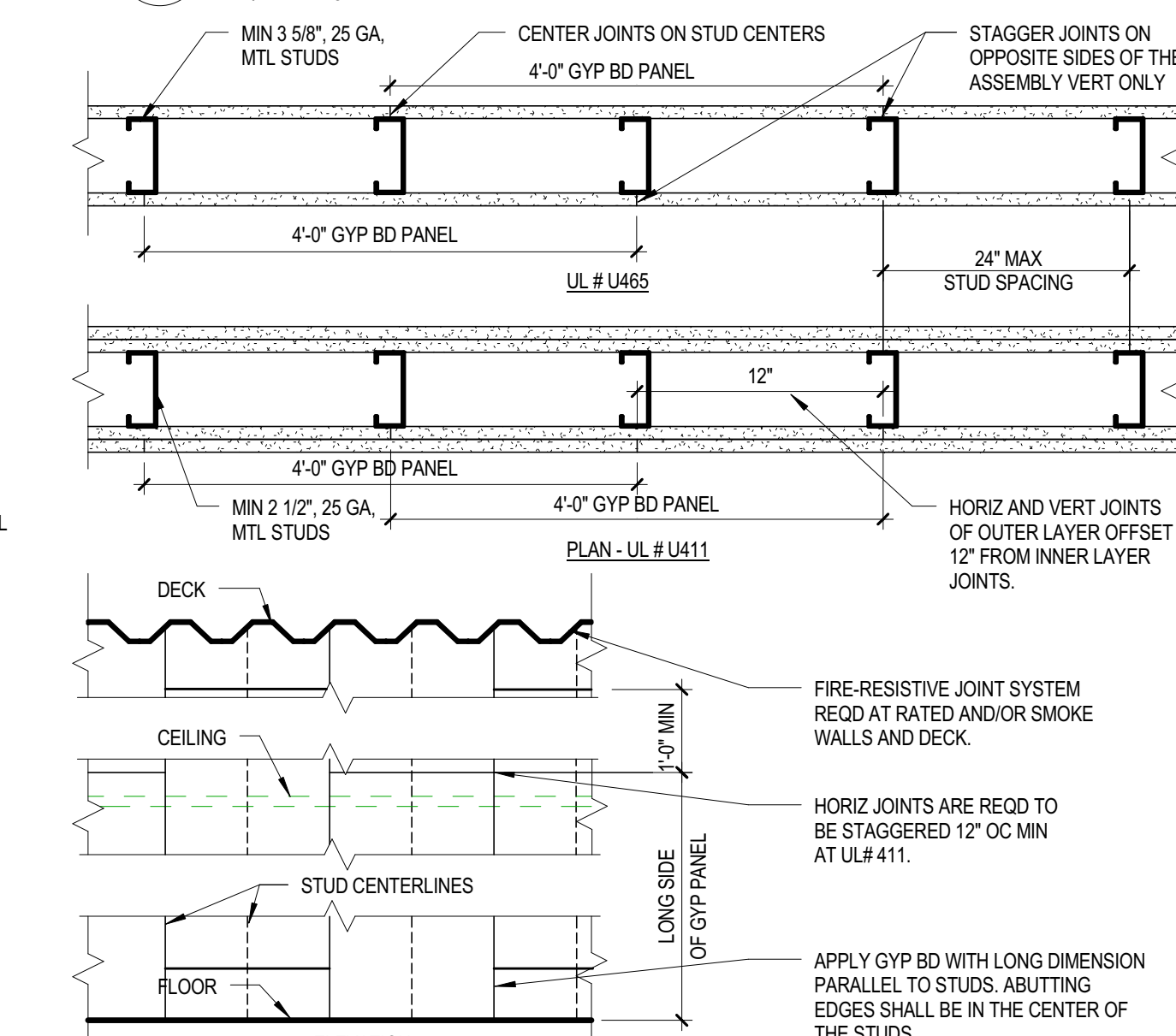
NO	ISSUE	DATE
<b>Sheet Information</b>		
Date	AUGUST 25, 2016	
Job Number	146054.000	
Drawn	VBW	
Checked	PLC	
Approved	PLC	

**CODE  
COMPLIANCE  
DETAILS**

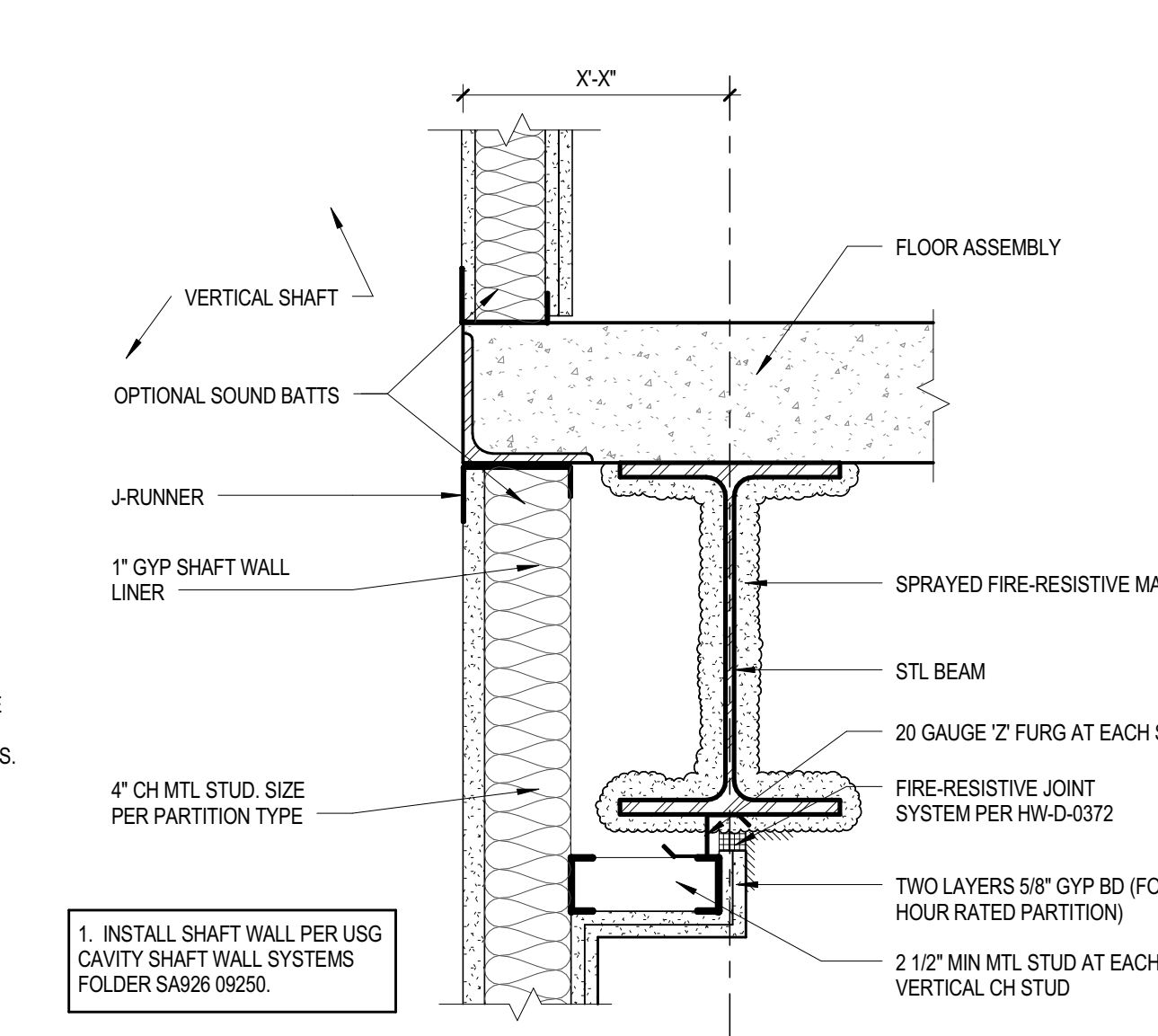
Sheet  
**A-01b**



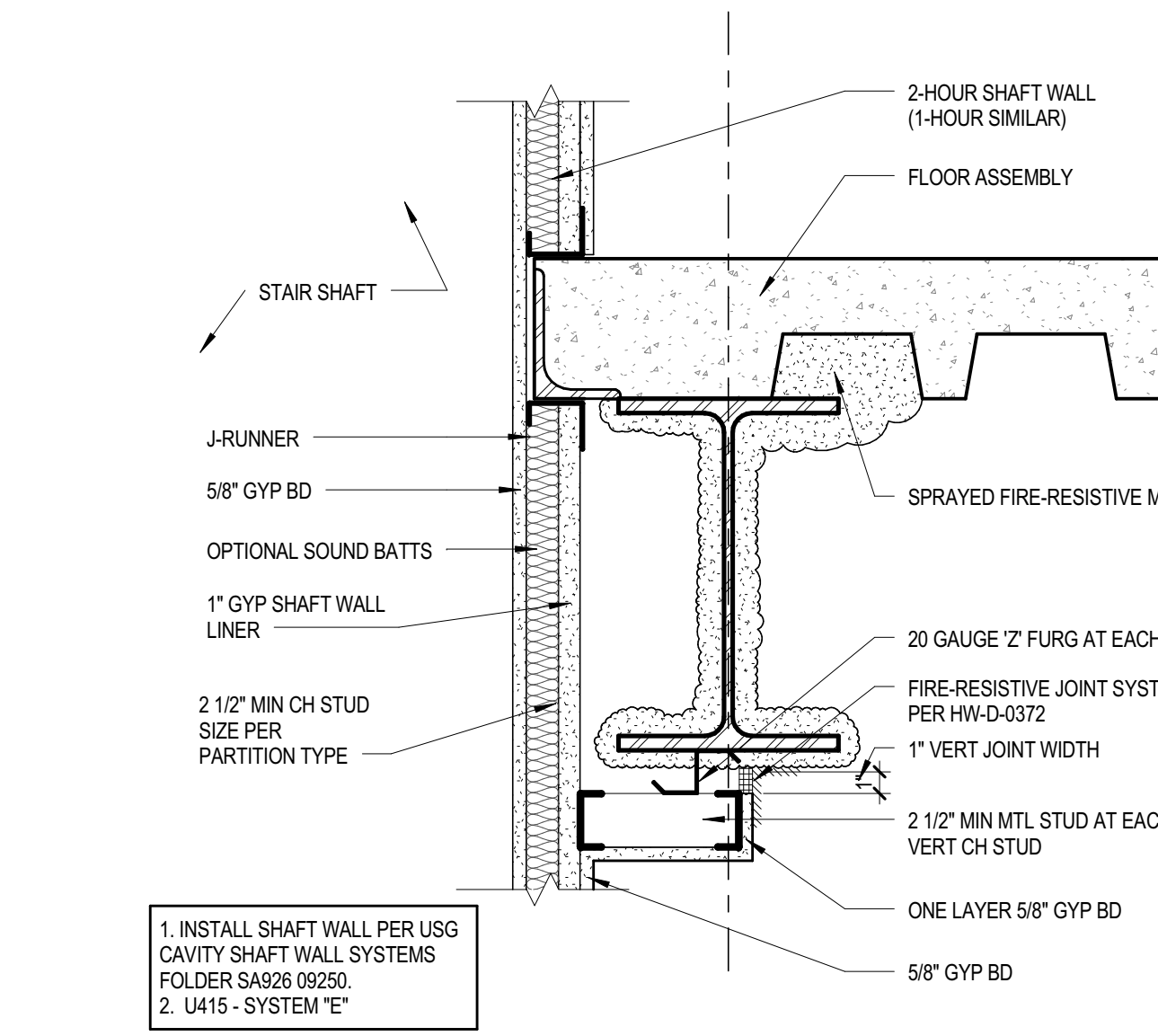
**04 GYPSUM BOARD CONTROL JOINTS**  
1 1/2" = 1'-0"  
@ 2-HR RATED (1-HR RATED SIMILAR)



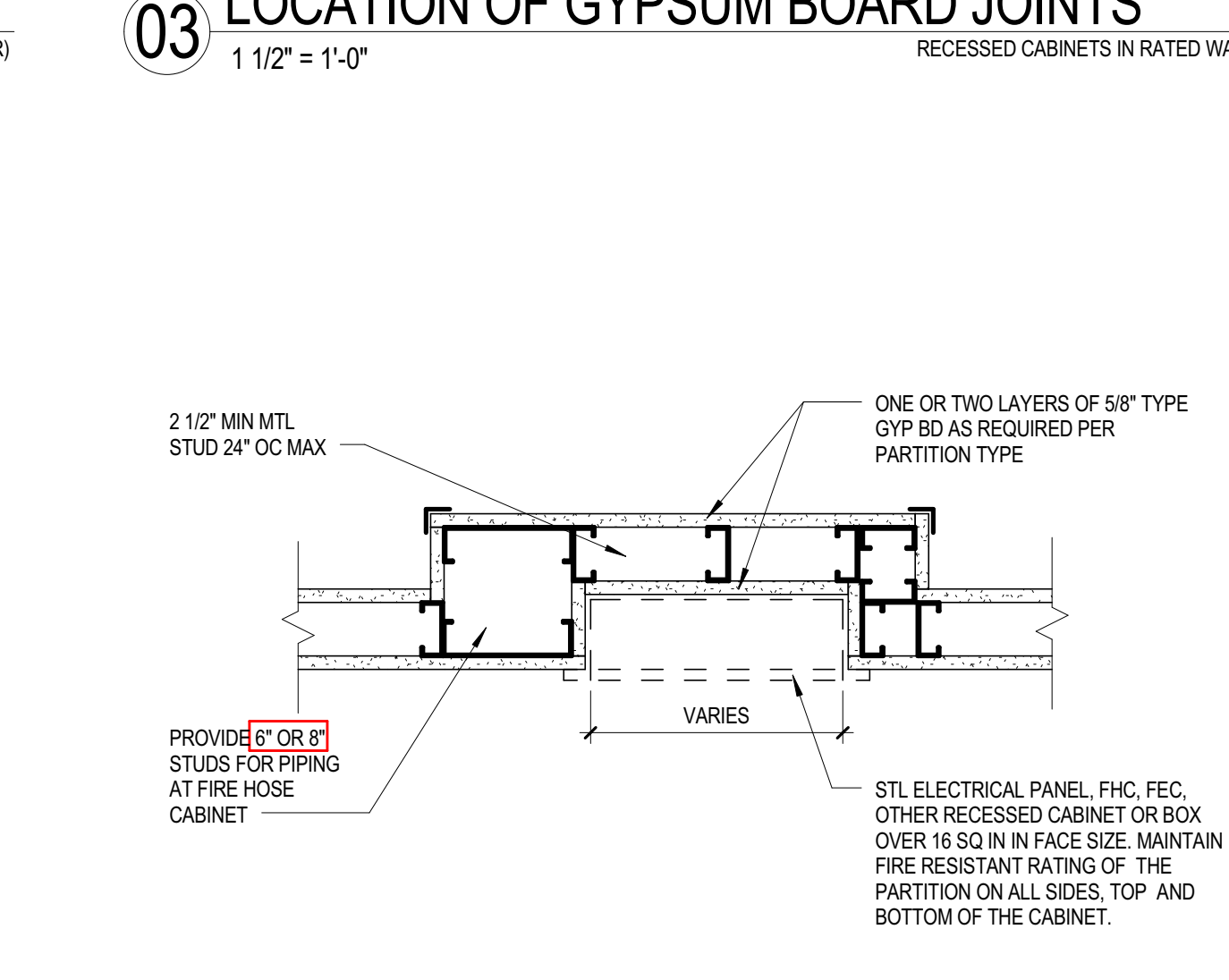
**03 LOCATION OF GYPSUM BOARD JOINTS**  
1 1/2" = 1'-0"  
@ 2-HR RATED (1-HR RATED SIMILAR)



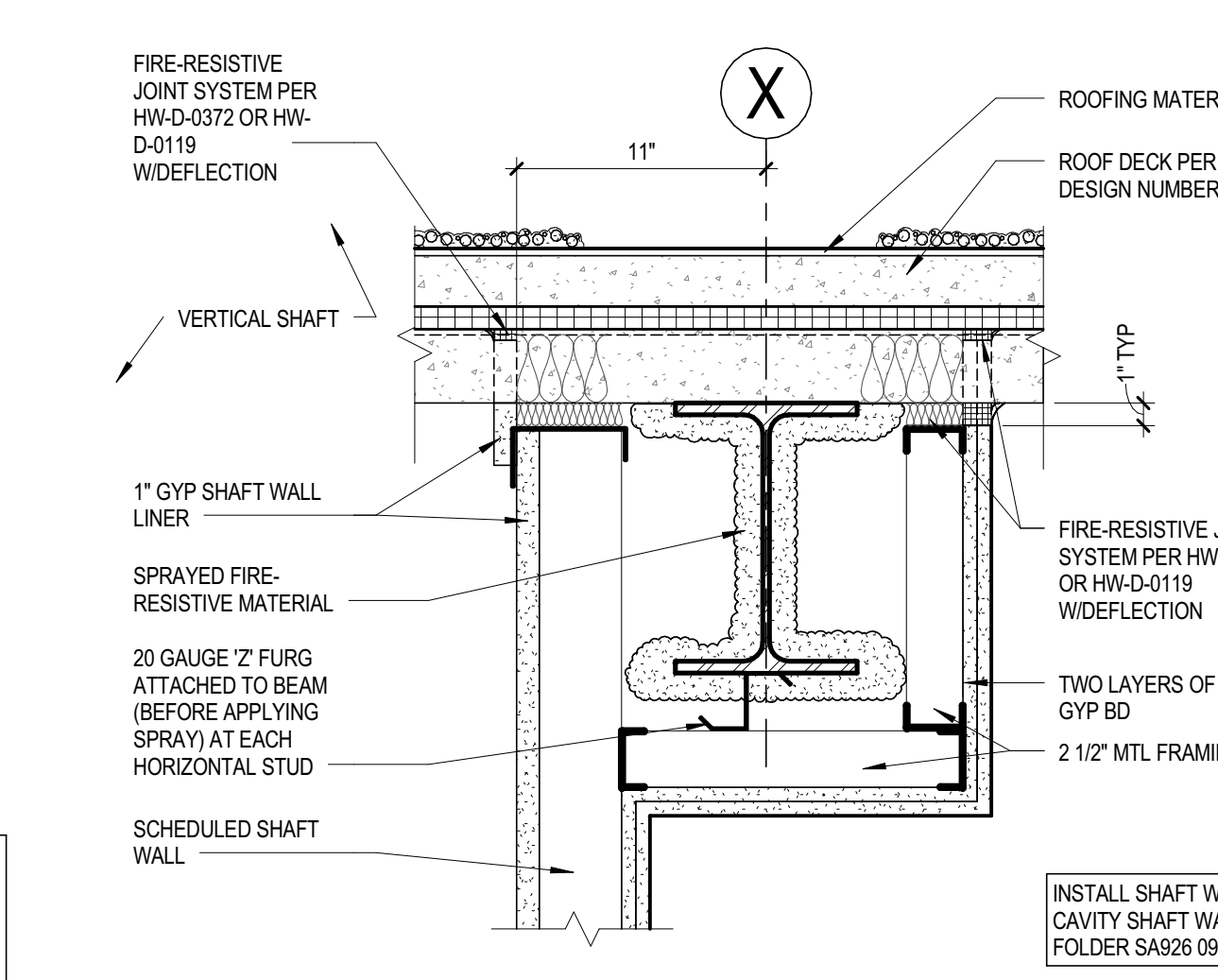
**08 SHAFT WALL AT ELEVATOR BEAM**  
1 1/2" = 1'-0"  
@ 2-HR RATED (1-HR RATED SIMILAR)



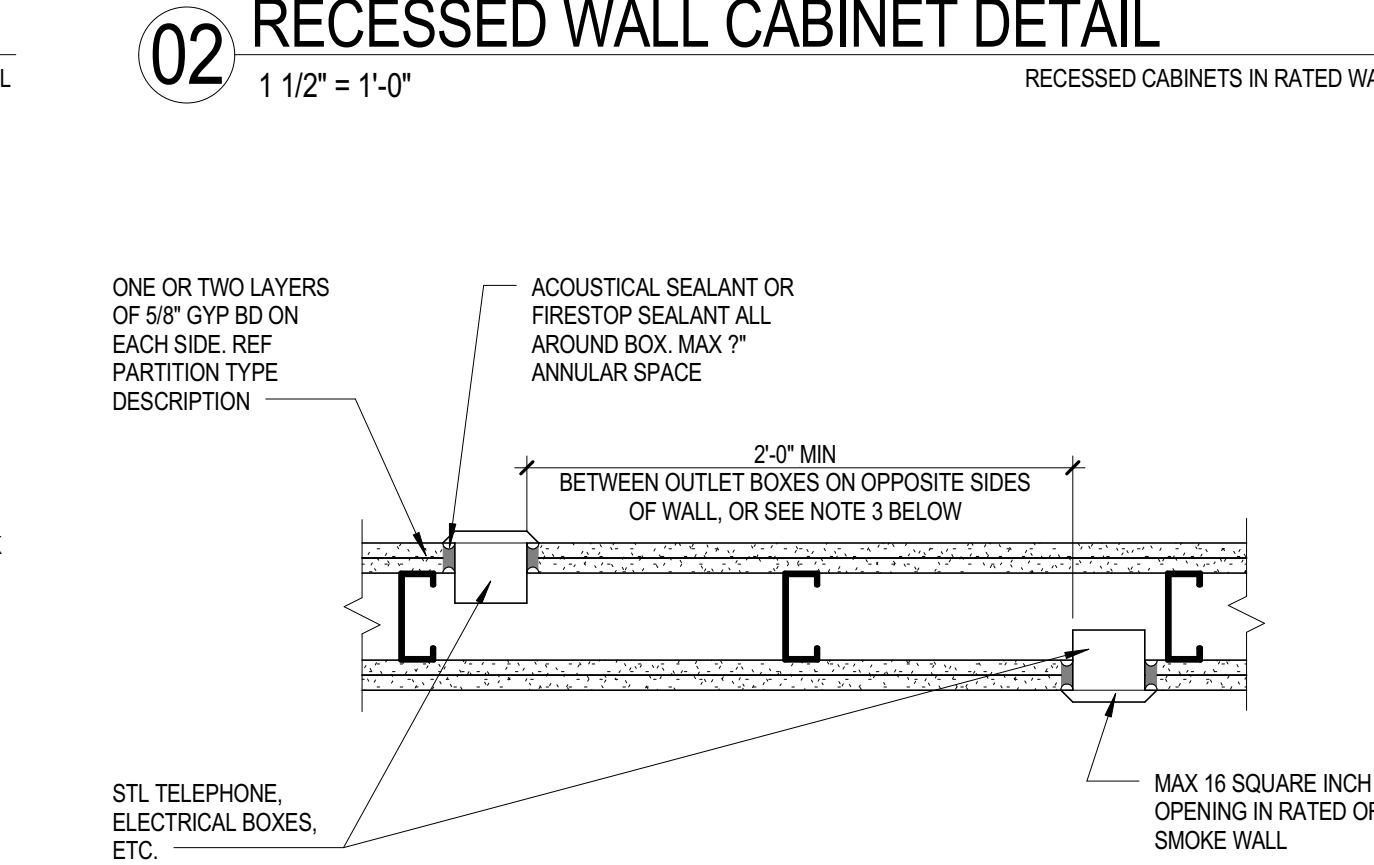
**07 SHAFT WALL AT ROOF/BEAM**  
1 1/2" = 1'-0"  
@ 2-HR RATED (1-HR RATED SIMILAR)



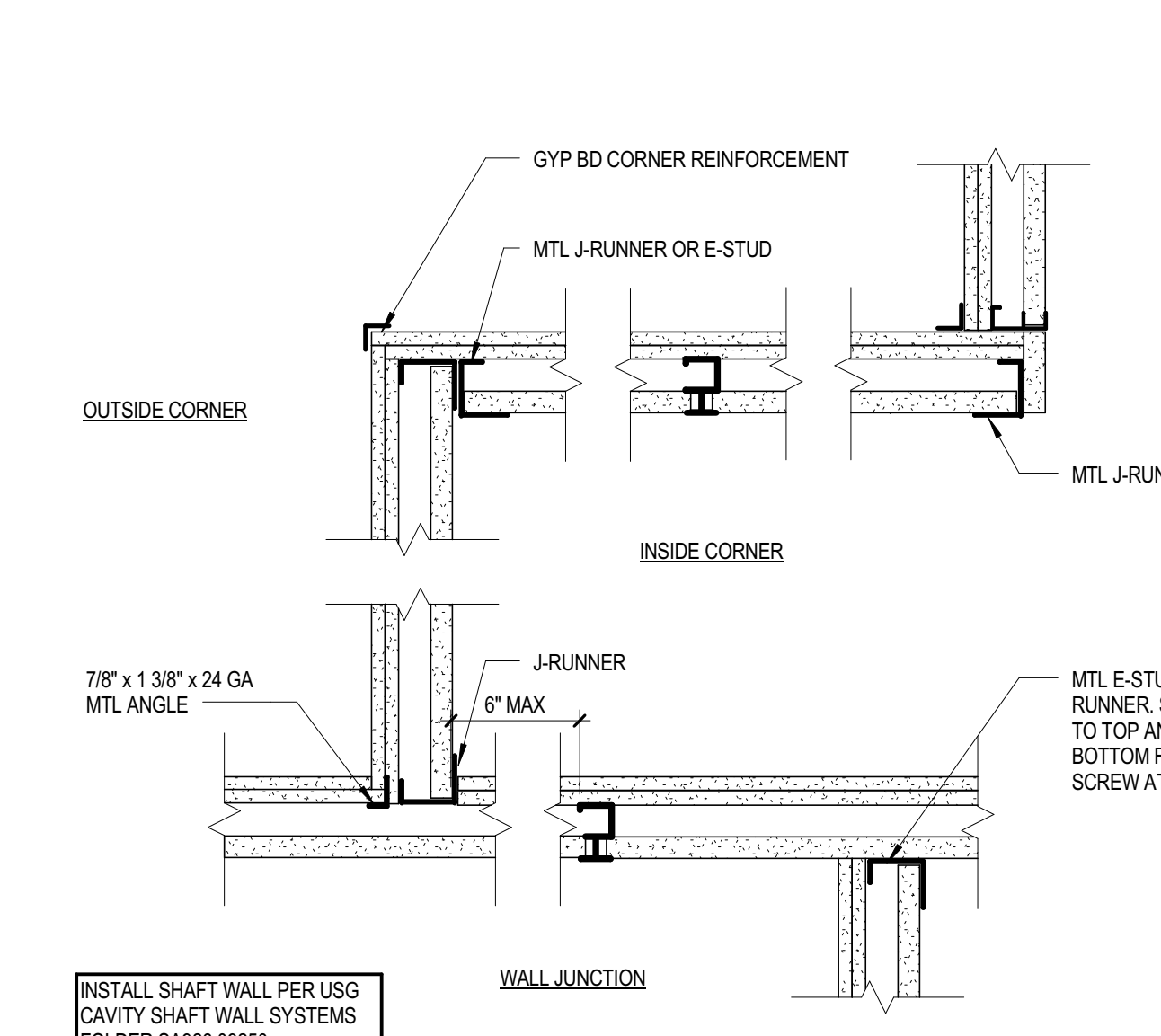
**02 RECESSED WALL CABINET DETAIL**  
1 1/2" = 1'-0"  
@ 2-HR RATED (1-HR RATED SIMILAR)



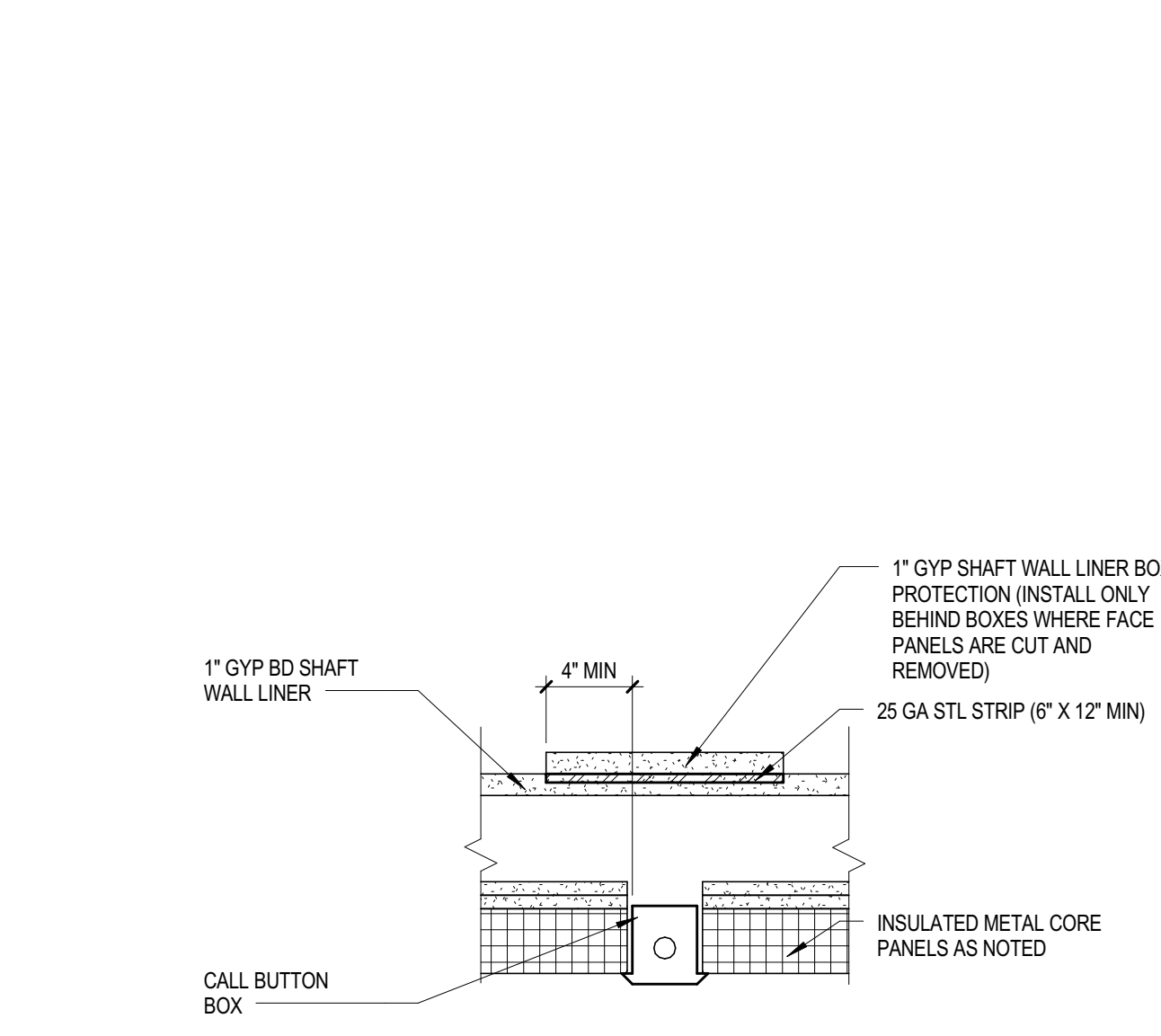
**06 SHAFT WALL AT ROOF / BEAM**  
1 1/2" = 1'-0"  
@ 2-HR RATED (1-HR RATED SIMILAR)



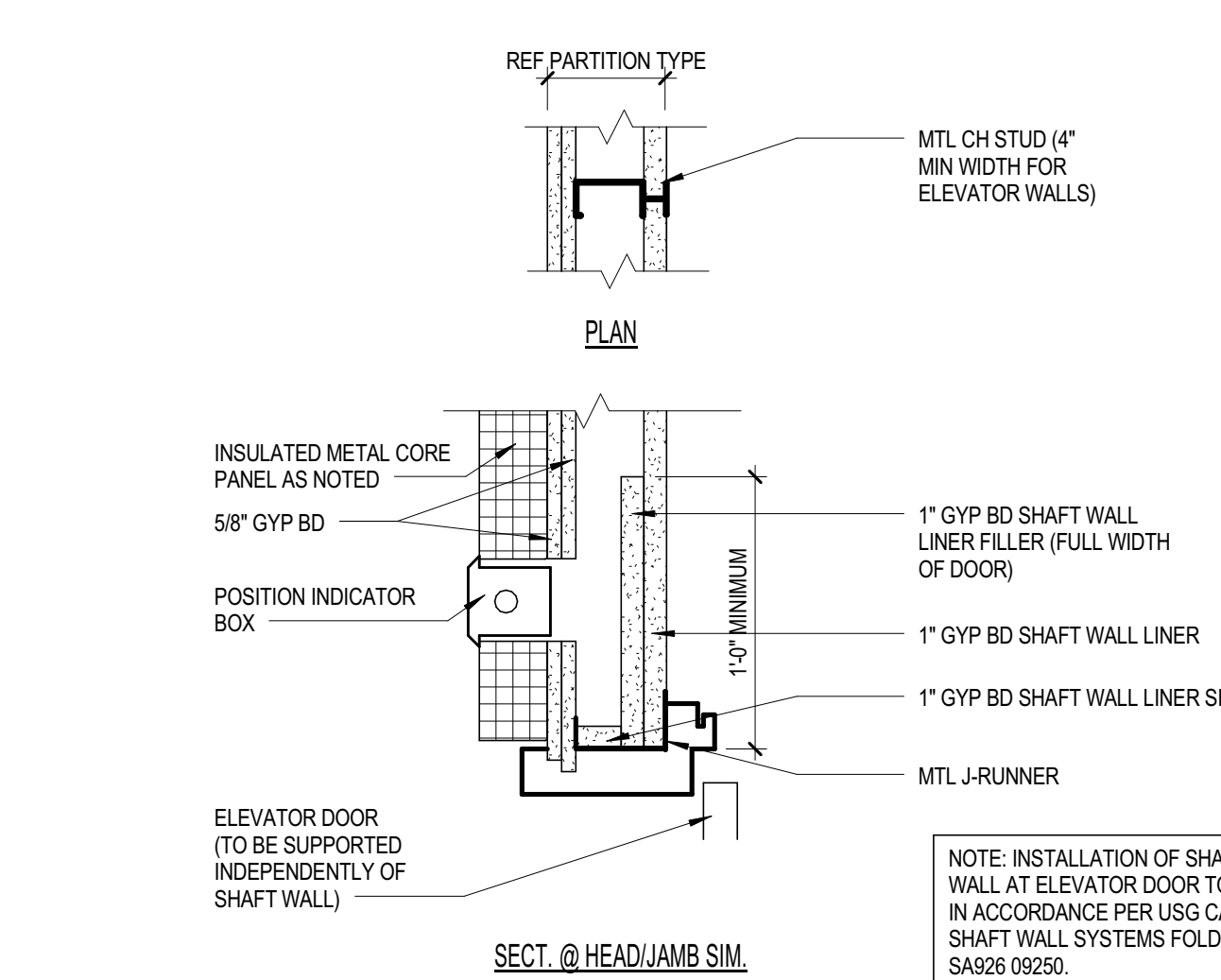
**01 ADJ (non-listed) ELECTRICAL BOXES**  
1 1/2" = 1'-0"  
@ 2-HR RATED (1-HR RATED SIMILAR)



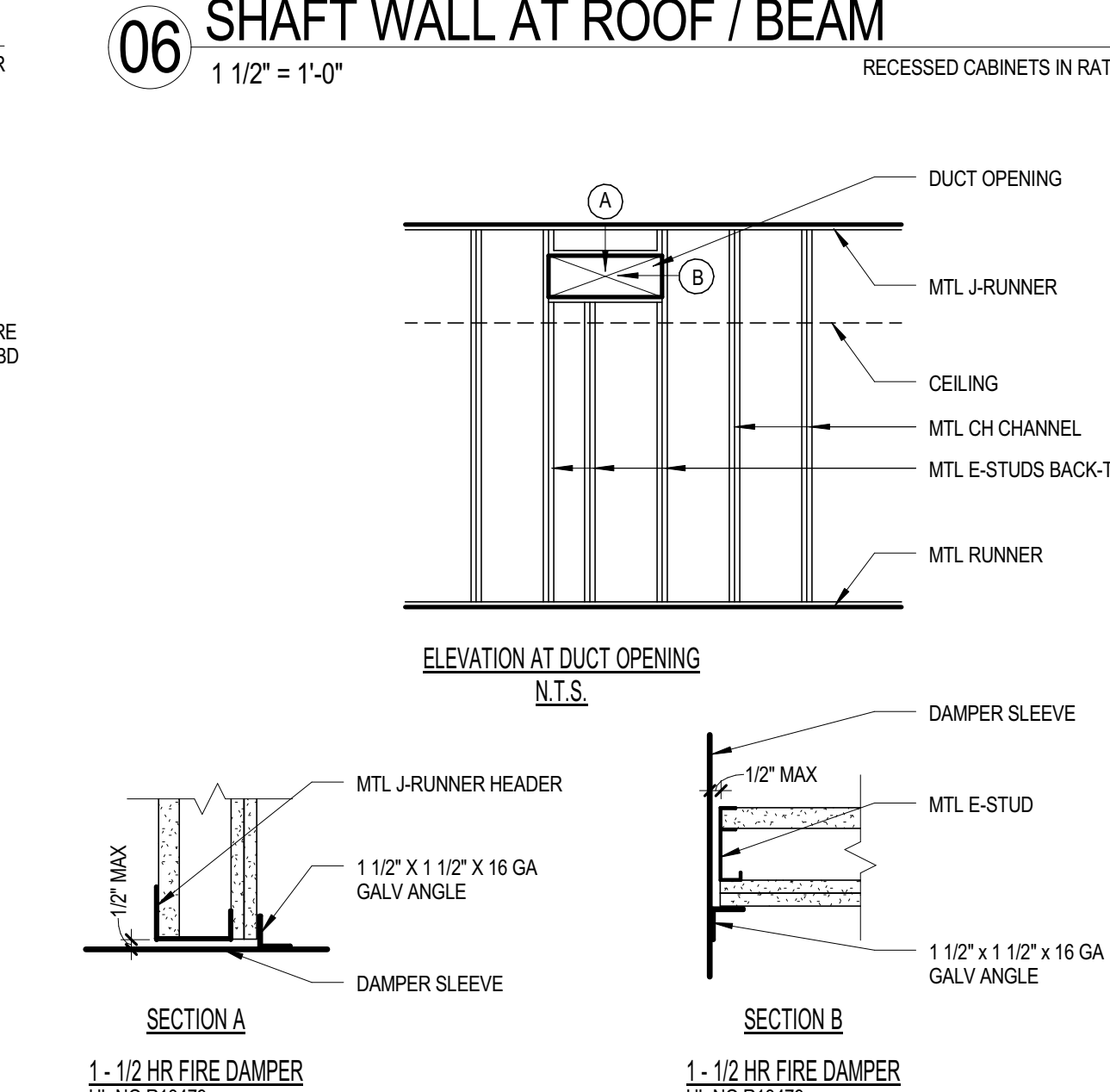
**12 PLAN DETAIL**  
1 1/2" = 1'-0"  
@ SHAFT WALL JUNCTIONS



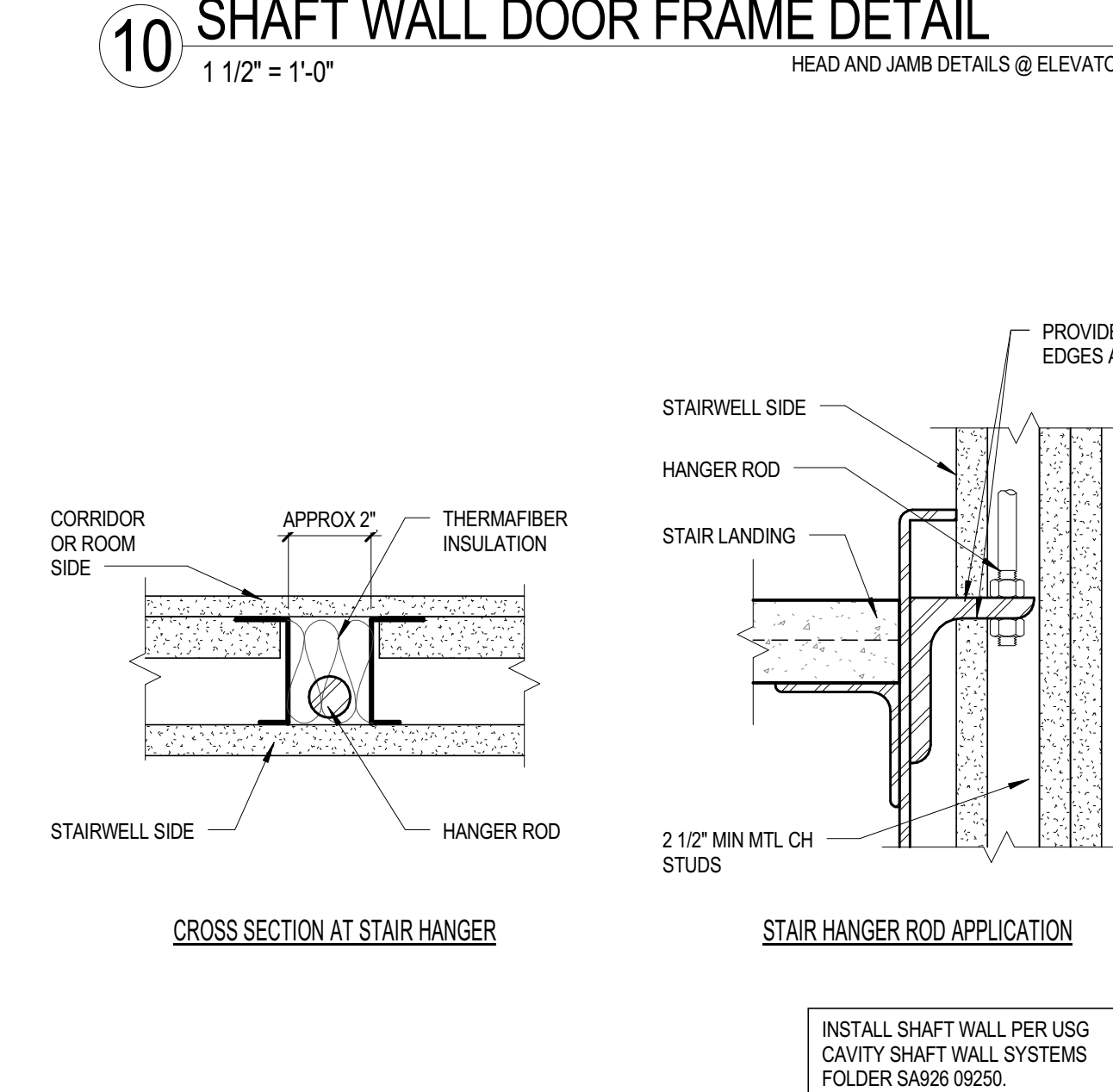
**11 SHAFT WALL DETAIL**  
1 1/2" = 1'-0"  
@ ELEVATOR CALL BUTTON



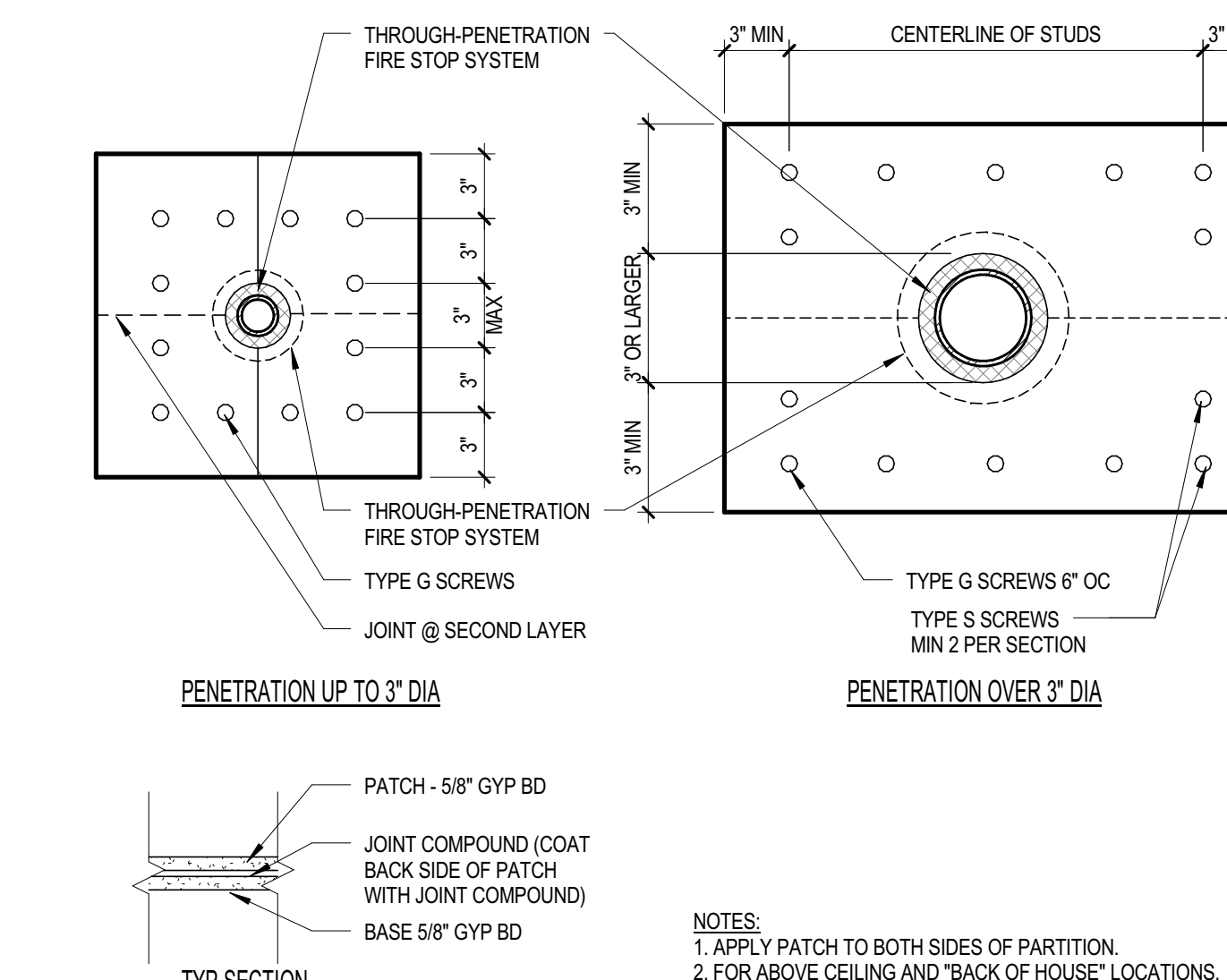
**10 SHAFT WALL DOOR FRAME DETAIL**  
1 1/2" = 1'-0"  
@ HEAD AND JAMB DETAILS @ ELEVATOR DOOR



**05 DUCT OPENING THRU SHAFT WALL**  
1 1/2" = 1'-0"  
@ 2-HR RATED (1-HR RATED SIMILAR)



**09 SHAFT WALL DETAIL**  
1 1/2" = 1'-0"  
@ STAIR HANGER ROD



**13 PENETRATION DETAIL W/ PATCH**  
1 1/2" = 1'-0"  
@ OVERSIZED HOLES IN RATED PARTITION