

SUBMITTAL TRANSMITTAL

CONTRACTOR'S REVIEW STAMP

A/E REVIEW STAMP

**DENCO CONSTRUCTION SPECIALISTS
SHOP DRAWING AND SUBMITTAL REVIEW**

JOB NO. DPA-330000

DATE 7-23-19

REVIEWER Shawnee Hallmark

Corrections or comments made relative to submittals during this review do not relieve the subcontractor from compliance with the requirements of the drawings and specifications. This check is only for review of general conformance with the design concept of the project and general compliance with the information given in the contract documents. The subcontractor is responsible for conforming and correlating all quantities and dimensions, selecting fabrication processes and techniques of construction, coordinating his work with that of other trades and performing his work in a safe and satisfactory manner.

**THIS REVIEW DOES NOT INDICATE NOR IMPLY ANY APPROVAL
OF CHANGES TO TIME OR CHANGES IN COSTS**

SUBMITTAL DATA

Project Dallas Park & Rec Dept Admin Offices Location 10031 E. Northwest Highway Dallas, TX 75238

General Contractor DENCO CONSTRUCTION SPECIALISTS

Trade Specialties

Items Submitted Carport

Supplier Southern Shade Phone 469-682-8592

Substitutions and Deviations _____

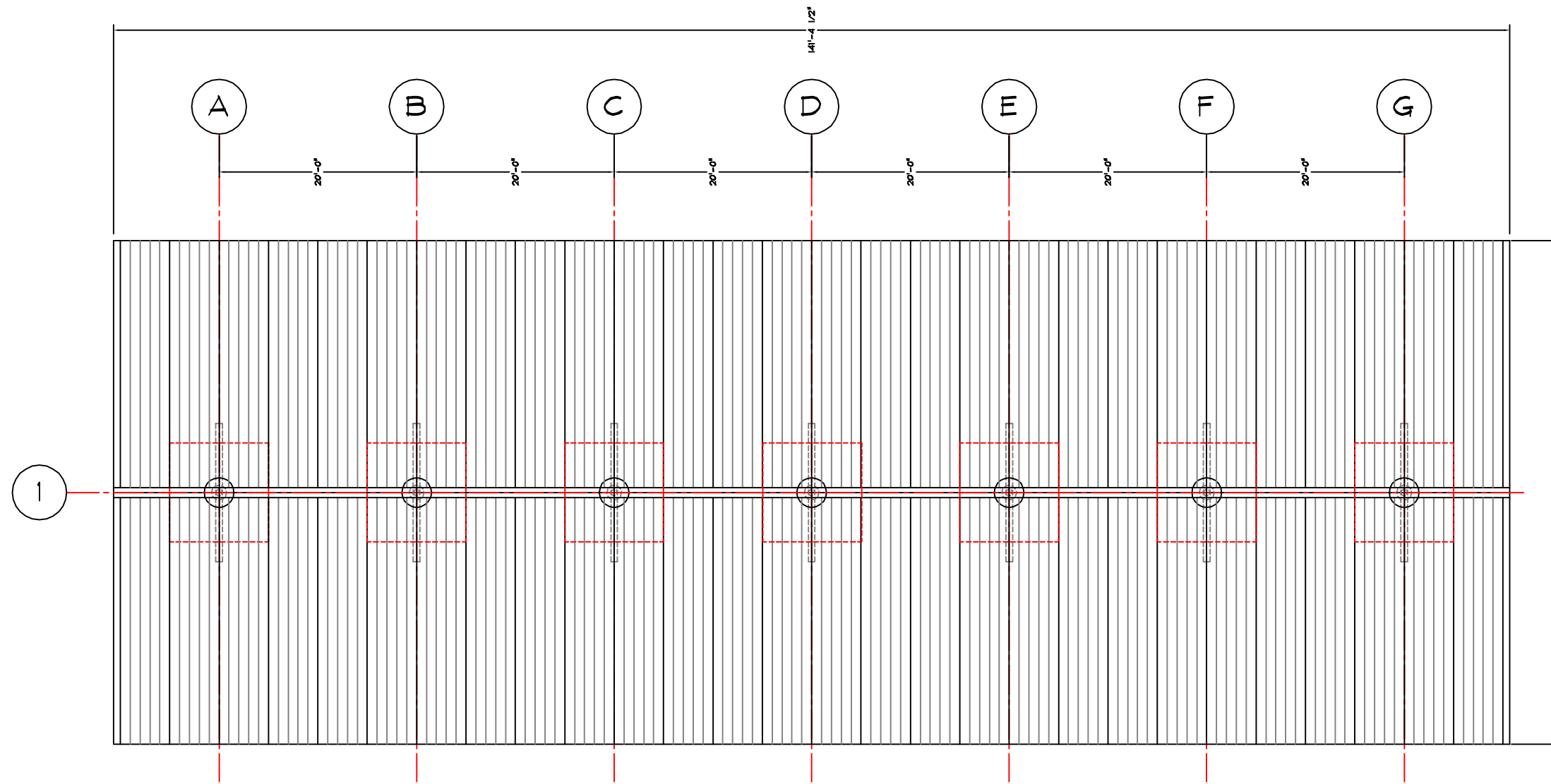
Remarks _____

I CERTIFY THAT THE ABOVE ITEM DESCRIBED IN THE ATTACHED SUBMITTAL COMPLIES WITH THE CONTRACT DOCUMENTS EXCEPT AS NOTED ABOVE.

Shawnee Hallmark 972-226-2609 ext. 108 7-23-19

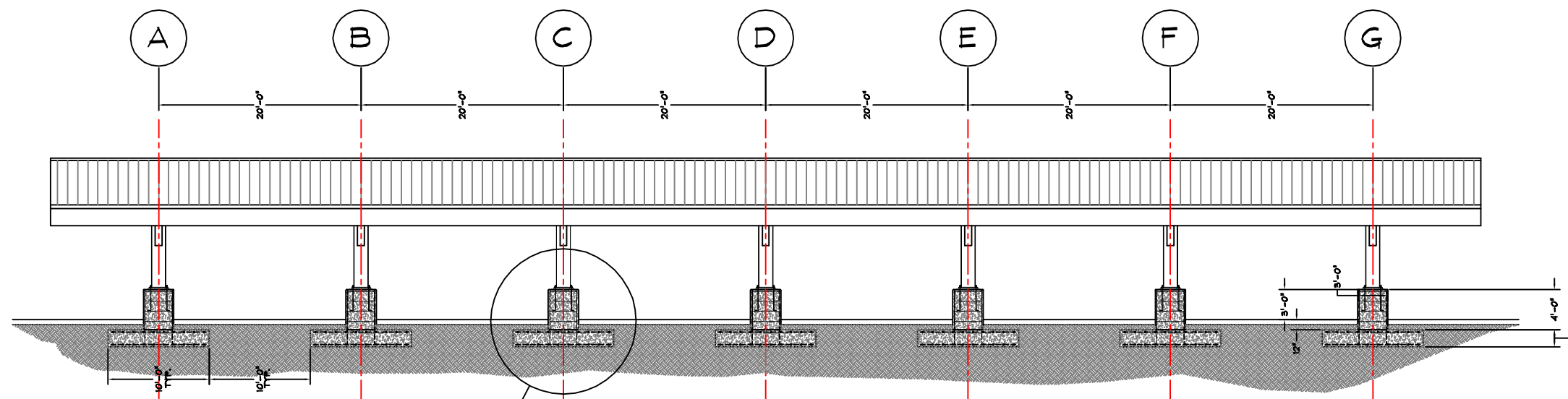
NAME (TRADE) PHONE NO. DATE

Review Comments: _____



02 ROOF PLAN
TYPICAL OVERVIEW

TYPICAL ROOF PLAN



01 FRONT VIEW
SECTION DETAIL

REF. DTL. 01/2

TYPICAL FOOTING DETAIL



Barry Richey

07/18/19
 TEXAS REGISTERED ENGINEER
 Firm F-18728

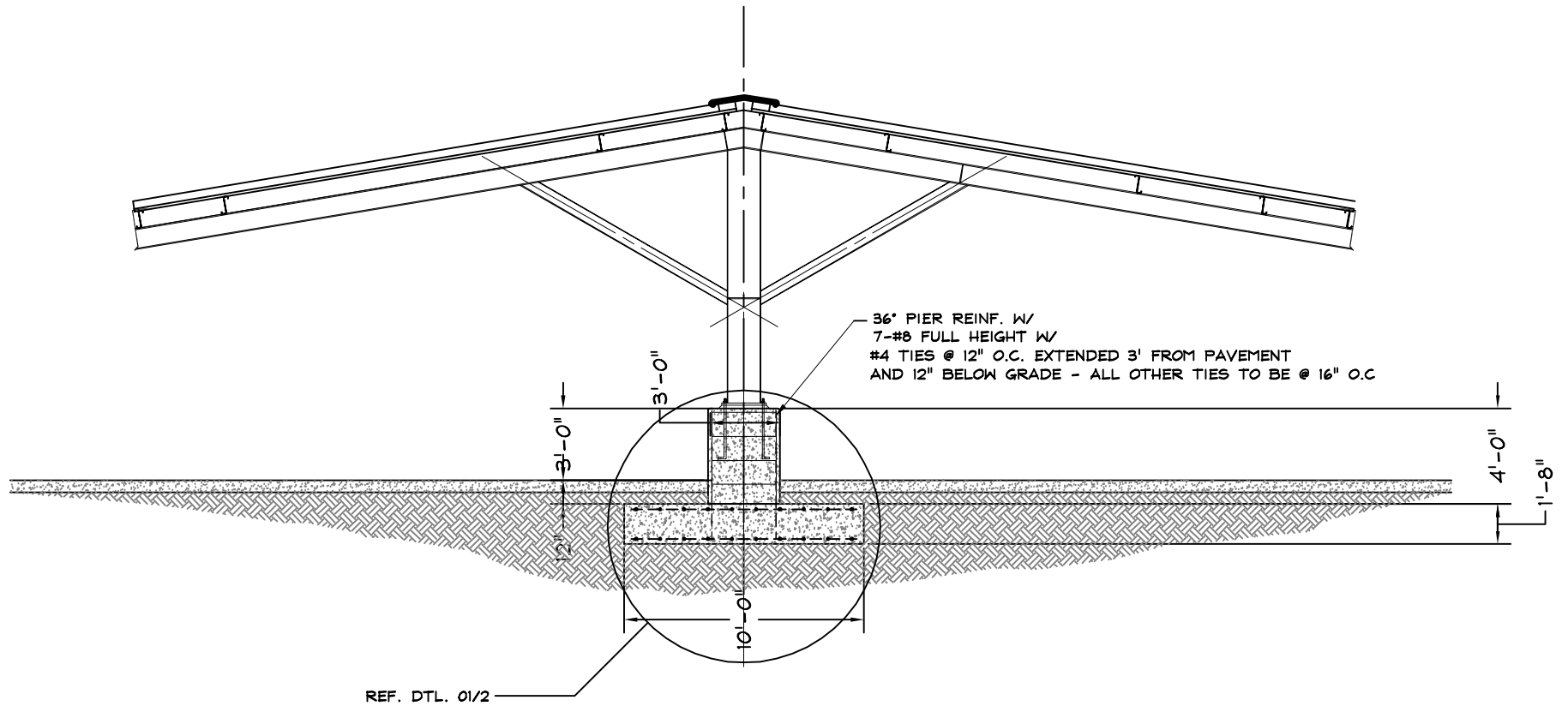
DENCO CS CORP
 5525 LYONS ROAD
 Garland, Texas 75043
 (972) 226-2609 (T) (972) 226-0165 (F)

DALLAS PARKS & RECREATION
 ADMINISTRATION BLDG

METAL CANOPY
 SHOP DRAWINGS

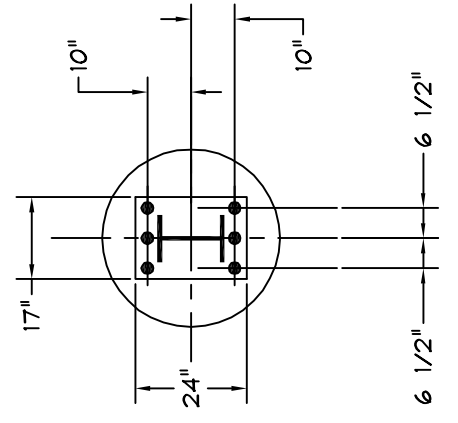
SHEET 2 OF 2

DESIGN	DENCO CS CORP			SHEET NO.
GRAPHICS	METAL CANOPY			
CHECK	STATE	---	COUNTY	1
CHECK	TEXAS	---	DALLAS	
CHECK	---	---	DATE	
			01/23/19	



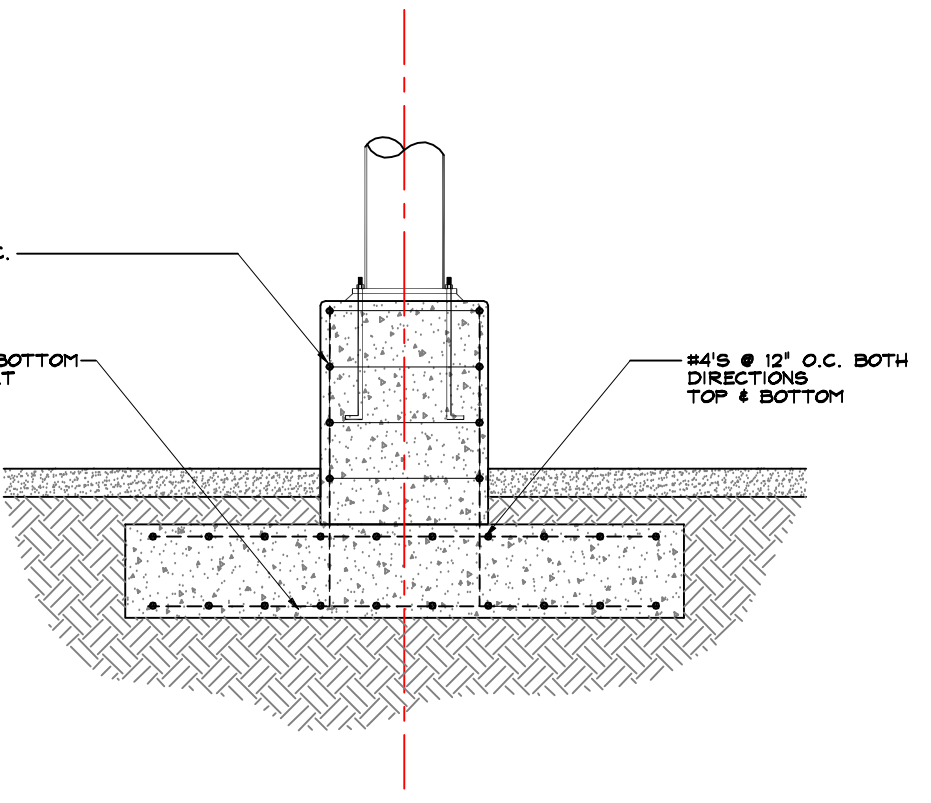
03 SIDE VIEW SECTION DETAIL

TYPICAL FOOTING DETAIL



02 SECTION DETAIL REBAR AND COLUMN

TYPICAL COLUMN BASE



01 SECTION DETAIL REBAR AND FOOTING

TYPICAL FOOTING DETAIL



Barry Richey
 07/18/19
 TEXAS REGISTERED ENGINEER
 Firm F-18728

DENCO CS CORP
 5525 LYONS ROAD
 Garland, Texas 75043
 (972) 226-2609 (T) (972) 226-0165 (F)

DALLAS PARKS & RECREATION
 ADMINISTRATION BLDG

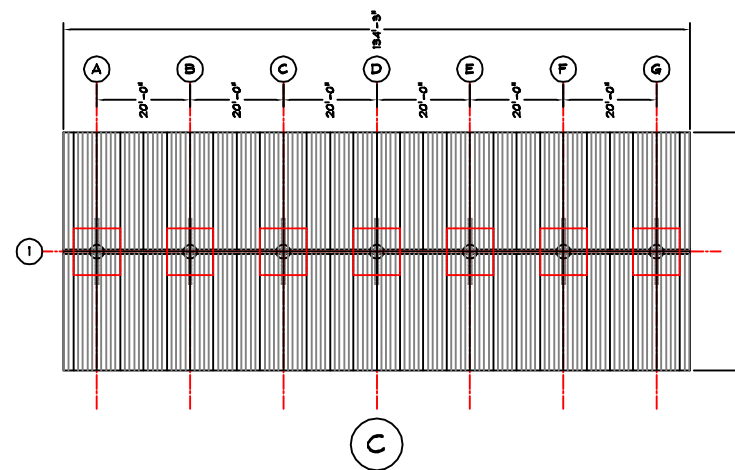
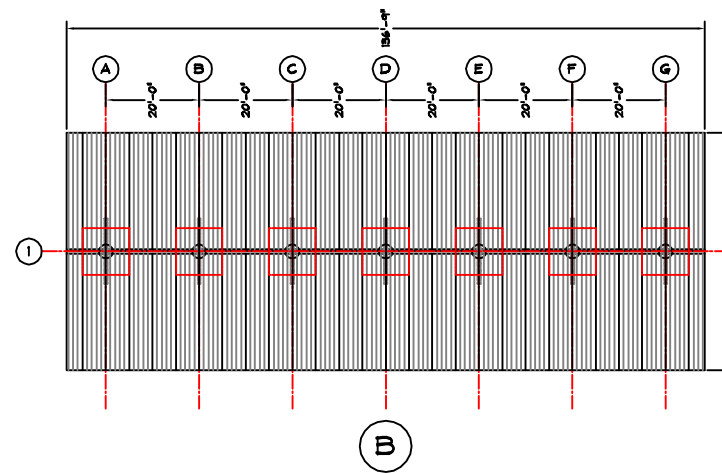
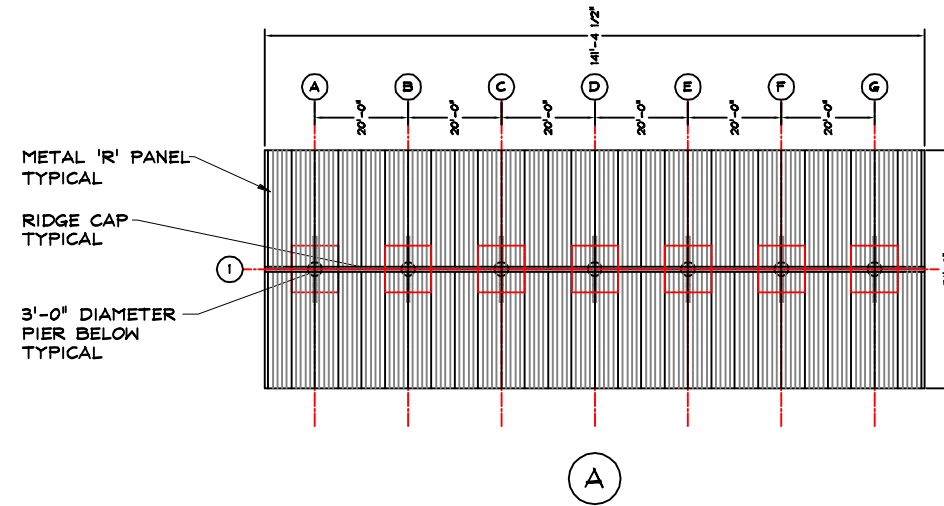
METAL CANOPY
 SHOP DRAWINGS

SHEET 2 OF 2

DESIGN	DENCO CS CORP			
GRAPHICS	METAL CANOPY			
CHECK	STATE	COUNTY		SHEET NO.
CHECK	TEXAS	DALLAS		2
CHECK	---	---	DATE	
	---	---	01/23/19	

NOTES:

1. FIELD VERIFY LOCATION OF CANOPIES A,B # C
2. PARKING SPACE STRIPING BY OWNER AT FUTURE DATE.
3. FINISH COLORS TBD - COORDINATE WITH OWNER.



01 CANOPIES 'A', 'B', & 'C'
 ROOF PLANS



Barry Richey

07/18/19
 TEXAS REGISTERED ENGINEER
 Firm F-18728

DENCO CS CORP
 5525 LYONS ROAD
 Garland, Texas 75043
 (972) 226-2609 (T) (972) 226-0165 (F)

DALLAS PARKS & RECREATION
 ADMINISTRATION BLDG

METAL CANOPY
 SHOP DRAWINGS

SHEET 31 OF 3

DESIGN	DENCO CS CORP			
GRAPHICS	METAL CANOPY			
CHECK	STATE	---	COUNTY	SHEET NO.
CHECK	TEXAS	---	DALLAS	3
CHECK	---	---	DATE	
			07/22/19	