

SHOP SUBMITTAL / DRAWING REVIEW RESPONSE



**SW Associates
Consulting Engineers**
5429 LBJ Freeway
Suite 300 LB129
Dallas, TX 75240
www.swaengineers.com
Tel 1.214.397.0211
Fax 1.214.397.0886

Formerly **MEINHARDT** Consulting Engineers

Project Name: DPARD Admin Offices

From: Chuck Stringer

Project No: 13333

Description: 230000.01 Decorative Pedestal Convection Heater Submittal

SW Associates Consulting Engineers	Engineer's review is for general compliance with the design concept and contract documents. Markings or comments or the lack thereof shall not be construed as relieving the Contractor from compliance with the project plans and specifications. The Contractor remains responsible for details and accuracy, for confirming and correlating all quantities and dimensions, for selecting fabrication processes, for techniques of construction, for performing this work in a safe manner and for coordinating his work with that of other trades
<input type="checkbox"/> No Exception Taken	This review does not constitute approval or acceptance of deviations from contract documents, such deviations if any must be requested in writing or clearly identified as deviations in accordance with contract documents.
<input type="checkbox"/> Make Corrections Noted	
<input type="checkbox"/> Revise and Submit	
<input checked="" type="checkbox"/> Rejected	
SWA Project No. 13333	Submittal No: 230000.01
Date: 08-09-18	Checked By: Chuck Stringer

Comments: Rejected / not reviewed due to city imposed redesign.

SUBMITTAL TRANSMITTAL

CONTRACTOR'S REVIEW STAMP

A/E REVIEW STAMP

**DENCO CONSTRUCTION SPECIALISTS
SHOP DRAWING AND SUBMITTAL REVIEW**

JOB NO. DPA-230000
DATE 7-23-18
REVIEWER Shawnee Hallmark

Corrections or comments made relative to submittals during this review do not relieve the subcontractor from compliance with the requirements of the drawings and specifications. This check is only for review of general conformance with the design concept of the project and general compliance with the information given in the contract documents. The subcontractor is responsible for conforming and correlating all quantities and dimensions, selecting fabrication processes and techniques of construction, coordinating his work with that of other trades and performing his work in a safe and satisfactory manner.

**THIS REVIEW DOES NOT INDICATE NOR IMPLY ANY APPROVAL
OF CHANGES TO TIME OR CHANGES IN COSTS**

SUBMITTAL DATA

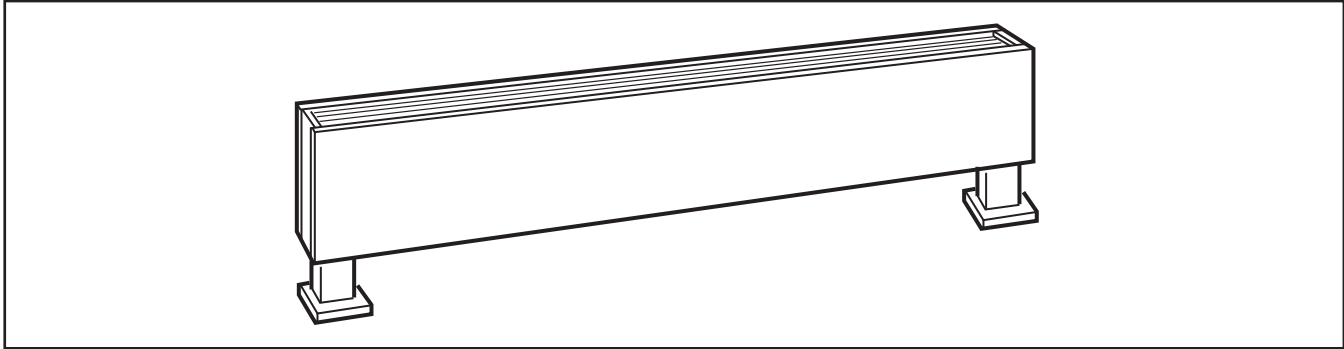
Project Dallas Park & Rec Dept Admin Offices Location 10031 E. Northwest Highway Dallas, TX 75238
General Contractor DENCO CONSTRUCTION SPECIALISTS
Trade HVAC
Items Submitted Decorative Pedestal Convection Heaters
Supplier Total Refrigeration Phone 214-926-8260
Substitutions and Deviations _____
Remarks _____

I CERTIFY THAT THE ABOVE ITEM DESCRIBED IN THE ATTACHED SUBMITTAL COMPLIES WITH THE CONTRACT DOCUMENTS EXCEPT AS NOTED ABOVE.

<u>Shawnee Hallmark</u>	<u>972-226-2609 ext. 108</u>	<u>7-23-18</u>
NAME (TRADE)	PHONE NO.	DATE

Review Comments: _____

Decorative Pedestal Convection Heaters Type DPH



Dimensions

Type	Height	Width	Length
DPH05A	5-1/2"	3"	28"- 10'
DPH07A	7"	5"	28"-10'



FILE #E37116

ARCHITECT/ENGINEER SUGGESTED SPECIFICATIONS*

Heaters shall be low profile (3" x 5-1/2", 5" x 7") and available in lengths from 28 inches through 10 feet.

Enclosures shall be 16 gauge, furniture quality steel with reinforced, all welded construction; designed to withstand heavy-duty commercial and institutional use.

Enclosures shall be chemically-treated to resist corrosion. Finish shall be mar and temperature-resistant to retain contemporary appearance throughout years of rough use.

For safety, the electric heating bank shall consist of metal sheath heating elements. The elements shall have a copper clad steel sheath for strength and corrosion resistance, and aluminum fins for faster heat transfer.

One, two, or three, low density elements shall be installed side-by-side on the same plane to uniformly warm all incoming air. Elements shall be center-anchored and shall float freely on each end through nylon bushings for quietness.

Discharge louvers shall be an extruded aluminum bar grille painted bronze brown to contrast with the neutral grey front finish. The bar grille with contrasting finish

shall ensure a clean, decorative appearance.

A 1/4-inch mesh screen shall be installed beneath the discharge grille to deter the insertion of foreign objects.

Optional built-in controls shall include single-pole, double-pole, or two-stage thermostats, disconnect switch, transformer relay and power relay. The thermostat shall be capable of controlling multiple units on a pilot duty circuit. (Observe the control limitations indicated.) Thermostat adjustment shall be with a thin bladed screwdriver through the discharge louvers and shall be considered tamper-resistant.

An automatic reset thermal overheat protector shall run the full-length of the heater and shall turn off heating elements should overheating occur at any point along heating length. Overheat protector shall restore operation automatically when cause of overheating is removed.

Pedestal legs shall be architecturally styled and shall be individually adjustable to insure an even, level heater installation.

Heaters shall be designed with a built-in pre-wired raceway to enable multiple unit wiring from one feeder source.

Back panel shall be one-piece painted steel, completely finished, and shall be suitable for mullion-to-mullion mounting in front of a glass curtain wall.

28-inch control sections, finished to match the heating units, shall be available with factory built-in mercury contactors, circuit breakers, control transformer, P.E. switch, or SCR controls. This control accessory, for field installation of controls.

All heaters and electrical accessories shall be labeled by Underwriters' Laboratories, Inc.

Accessories shall include end caps and blank sections. Blank sections shall be completely enclosed to enable the installer to pull standard wiring from heater to heater through the accessories.

* QMark reserves the right to change specifications without prior notice.

APPLICATION LIMITATIONS AND PRECAUTIONS

A. Hazardous Atmospheres - Because the possibility of a concealed spark can exist from the built-in overheat cutout, heaters should not be used in potentially explosive atmospheres.

B. Corrosive Atmospheres - The high quality finish and steel internal sheet metal parts will give excellent service under most operating conditions, including coastal salt air and industrial atmospheres. However, the finish is not intended for salt spray exposure in marine applications or highly corrosive greenhouse, swimming pool, chemical storage or industrial atmospheres.

C. Cleanliness - Although specifically designed for mounting below window areas, heater can be installed on plaster, wood paneled, metal, masonry, or composition wall surfaces with reasonable expectation of clean wall operation. Should some soiling occur, after a period of years, smooth wall may be cleaned with standard maintenance materials. For deep textured walls, consideration should be given to choice of enclosure height and watt per foot capacity - generally, the enclosure with lowest surface

temperature will have least soiling tendency.

D. Comfort - Optimum room comfort results when heater is mounted just below the window sill, since window cold down draft is eliminated and maximum convection air distribution without stratification is maintained throughout the room. Because of the tendency for warm air to stratify, installing heaters close to the ceiling is not recommended. If it should be necessary, at least 18" clearance above the air discharge must be maintained. Bottom of heaters are not intended for attractive appearance when mounted above eye level.

E. Air Throw - Since heaters provide only natural convection air throw, they are not recommended for combatting cold outside air blasts through high traffic, main entry ways and vestibules. Heaters will maintain satisfactory comfort conditions in low traffic, side entry ways and vestibules, but for most entry ways, faster response fan driven heaters would be preferred.

F. Curtains, drapes, or blinds - should clear the top of the heater by at least six inches. See I for vinyl blinds. Never permit draperies to completely cover the unit.

Furniture - should be placed so it does not touch the heater and so it does not completely block the air vents. Allow at least four inches free space between furniture and the heaters.

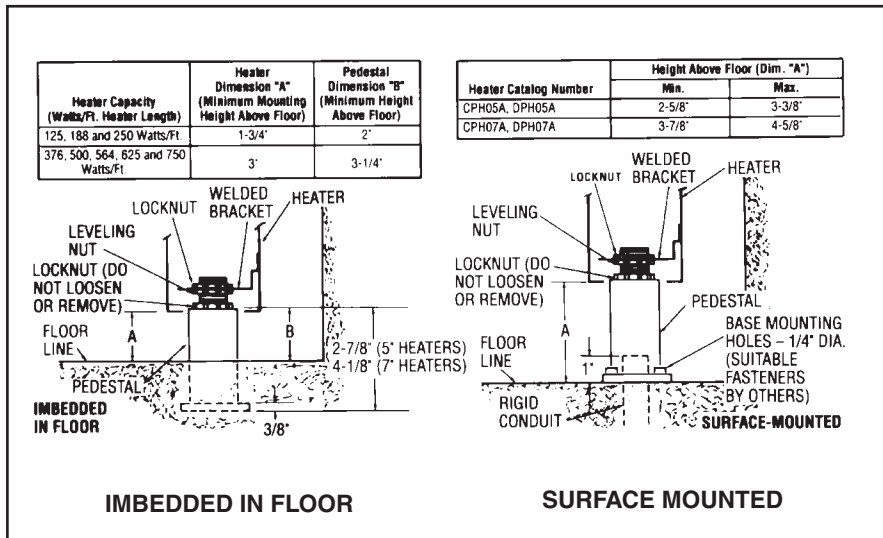
G. Recess mounting - UL labeled for free standing mounting only. Not recommended for mounting behind built-in book shelves, storage cabinets, window seats, etc.

H. In institutional applications such as hospitals, double-pole, or two-stage thermostats, disconnect switch, nursing homes, child day-care centers, and clinics, it is recommended that low-watt density convectors be used to provide optimum comfort at lowest case temperatures.

I. Due to variations in vinyl compositions and their potential to discolor, the use of stand-off brackets (SO1 or SO2) and/pr specifying a lower watt density unit may be required when installing on vinyl wall-coverings or under vinyl window dressings. Prior to setting specifications, consult factory for installation recommendations.

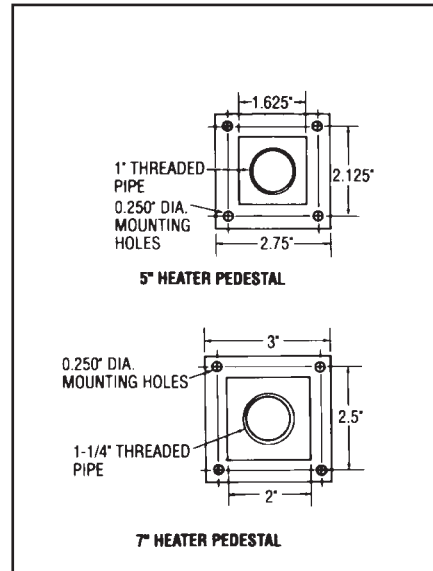
Pedestals

Accessory Specifications

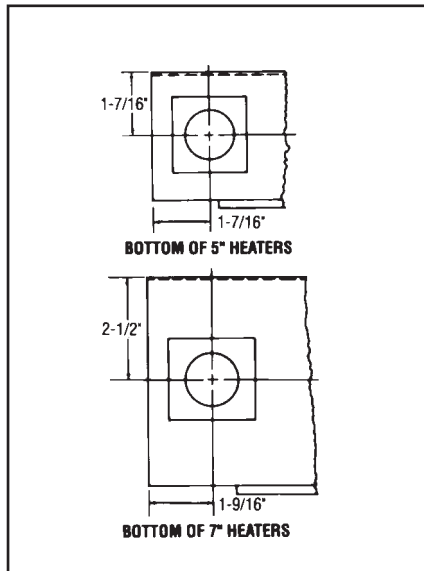


Description and Catalog Number	Use with	Dimensions			
		H	D	L N*	
LEFT END CAPS:					
DSH05-ECL***	DPH05A	5-1/2	2-1/2	- 1/8	
DSH07-ECL***	DPH07A	7	4-3/4	- 1/8	
RIGHT END CAPS:					
DSH05-ECR***	DPH05A	5-1/2	2-1/2	- 1/8	
DSH07-ECR***	DPH07A	7	4-3/4	- 1/8	
PEDESTAL LEGS: (for DPH05 Heaters)					
PHB05-2**	2', 3' & 4' heaters & blank sections	-	-	-	
PHB05-3**	5', 6' & 8' heaters & blank sections	-	-	-	
PHB05-4**	10' heaters & blank sections	-	-	-	
PEDESTAL LEGS: (for DPH07 Heaters)					
PHB07-2**	2', 3' & 4' heaters & blank sections	-	-	-	
PHB07-3**	5', 6' & 8' heaters & blank sections	-	-	-	
PHB07-4**	10' heaters & blank sections	-	-	-	
BLANK SECTIONS (DPH05)					
DPH05-BL2-1	DPH05	5-1/2	3	28	28
DPH05-BL3-1				36	36
DPH05-BL4-1				48	48
DPH05-BL5-1				60	60
DPH05-BL6-1				72	72
DPH05-BL8-1				96	96
DPH05-BL10-1	120	120			
BLANK SECTIONS (DPH07)					
DPH07-BL2-1	DPH07	7	5	28	28
DPH07-BL3-1				36	36
DPH07-BL4-1				48	48
DPH07-BL5-1				60	60
DPH07-BL6-1				72	72
DPH07-BL8-1				96	96
DPH07-BL10-1	120	120			

Pedestal Details

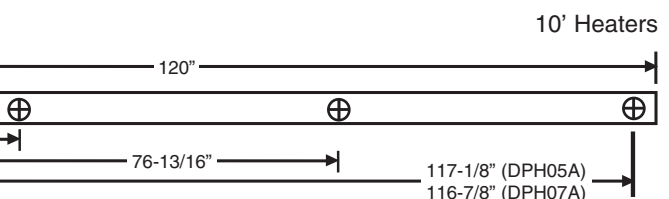
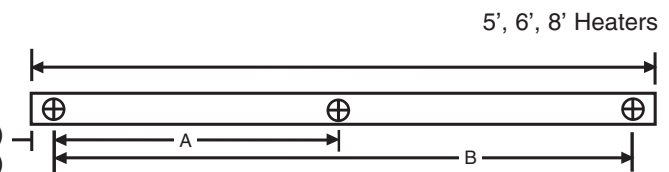
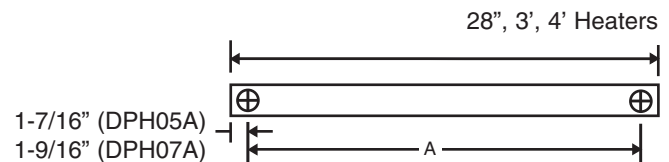


Pedestal Location



Pedestal Location

Heater Length	DPH05A		DPH07A	
	A	B	A	B
28"	25-1/8"	n/a	24-7/8"	n/a
3'	33-1/8"	n/a	32-7/8"	n/a
4'	45-1/8"	n/a	44-7/8"	n/a
5'	28-13/16"	57-1/8"	28-13/16"	56-7/8"
6'	32-13/16"	69-1/8"	32-13/16"	68-7/8"
8'	44-13/16"	93-1/8"	44-13/16"	92-7/8"



*** WHEN BUTTING HEATERS LEAVE A 1/16" GAP BETWEEN HEATERS TO ALLOW FOR EXPANSION.**

* N is the additional length the accessory adds to the total installation length.
 **PHB=painted pedestal base
 ***Built-in duplex receptacle available. See page 3.



Submittal Table

ITEM	QTY.	CATALOG NUMBER	TAG	LENGTH	NO. OF ELE-MENTS	WATTS	VOLTS	Ø	AMPS	BUILT-IN CONTROLS

Accessories
and Controls

ITEM	QTY.	CAT. NO.	TAG	DESCRIPTION

SUBMITTED BY:	DATE

APPROVED BY:	DATE