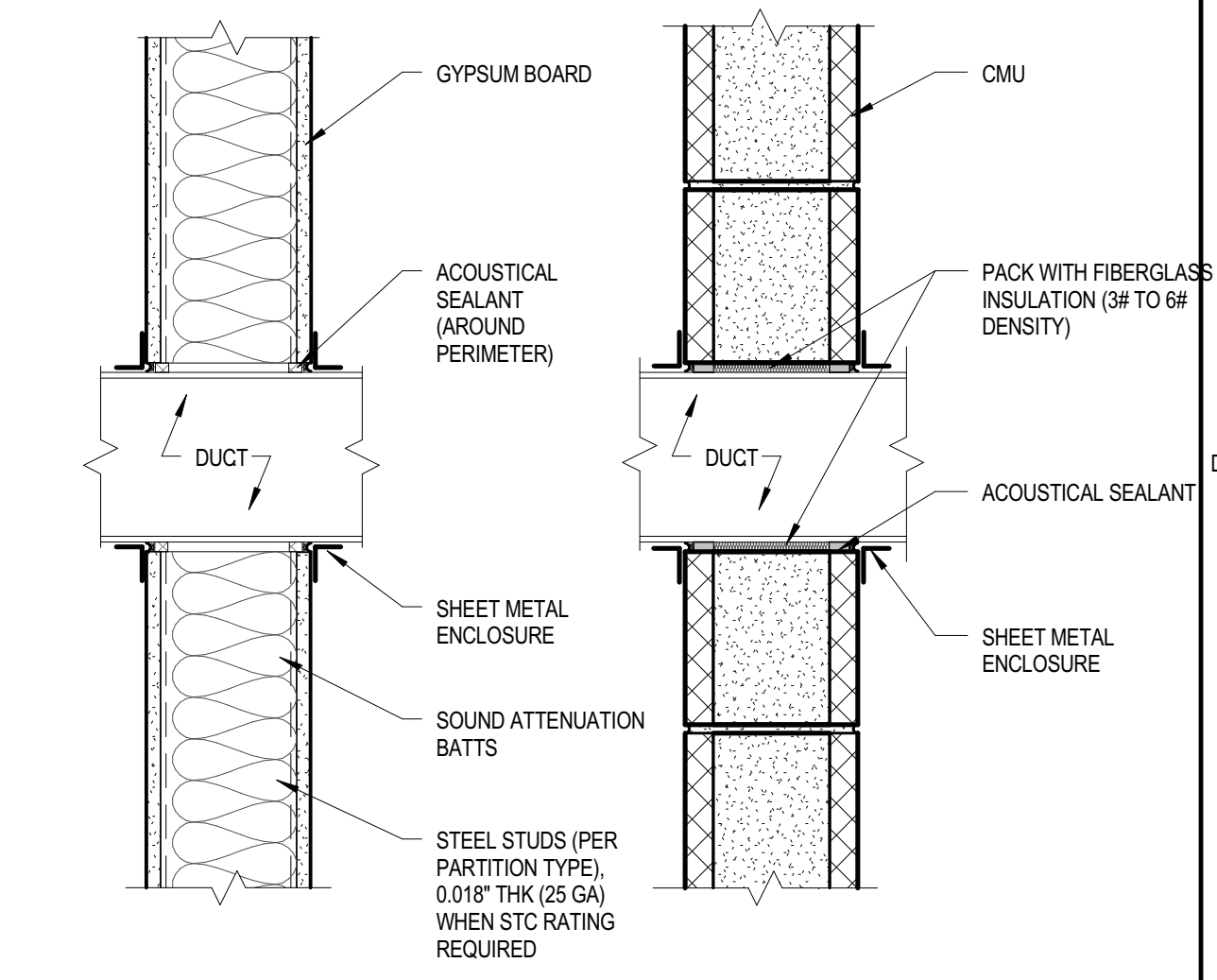


Revisions

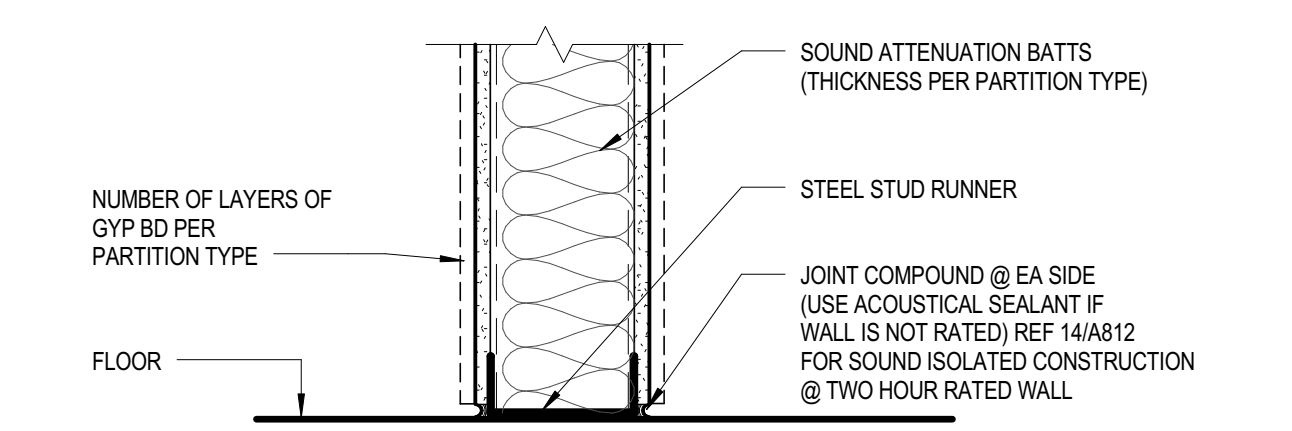
NO	ISSUE	DATE
Sheet Information		
Date	AUGUST 25, 2016	
Job Number	146054.000	
Drawn	Author	
Checked	Checker	
Approved	Approver	

Title
**INTERIOR
PARTITION
DETAILS**

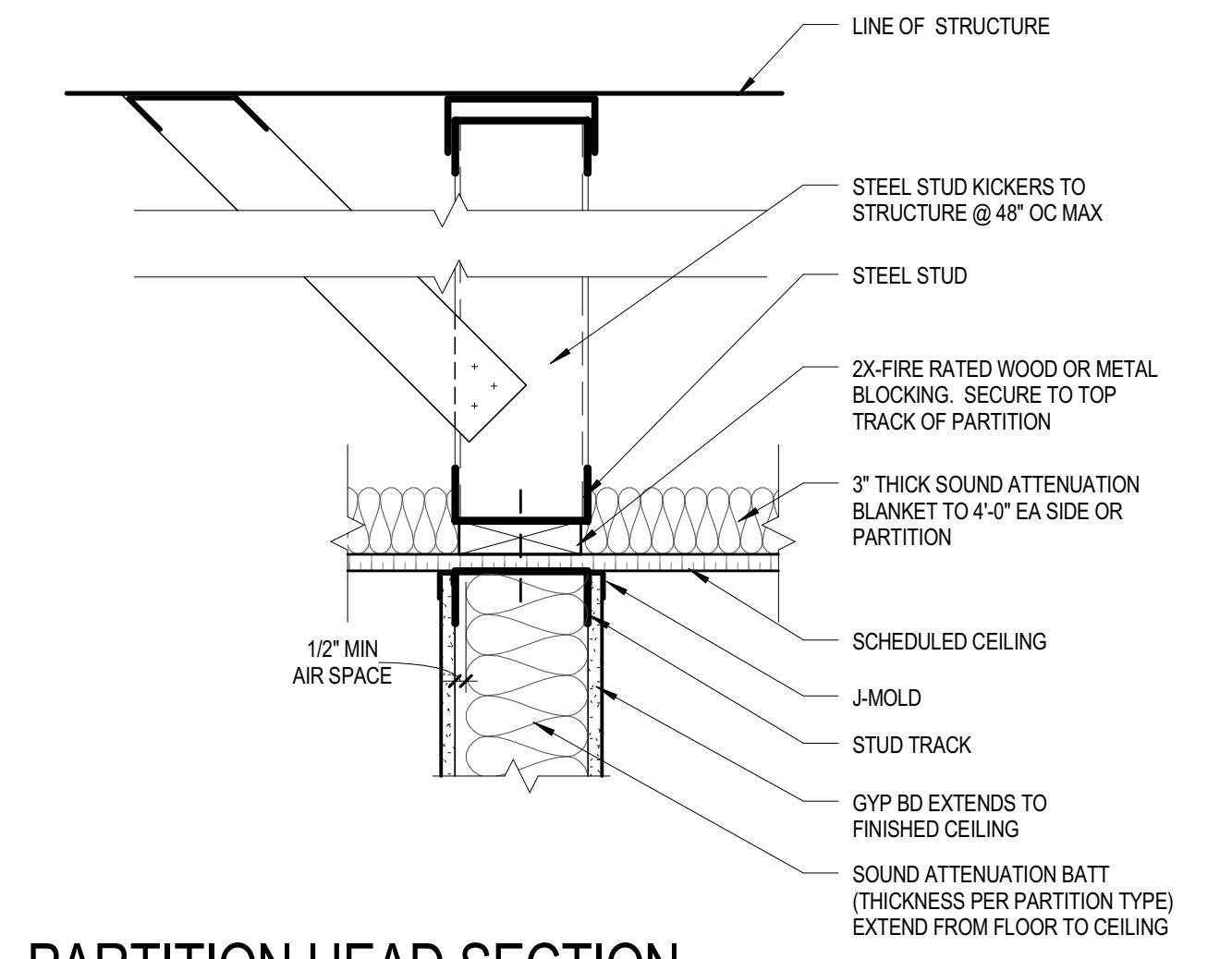
Sheet
A-812



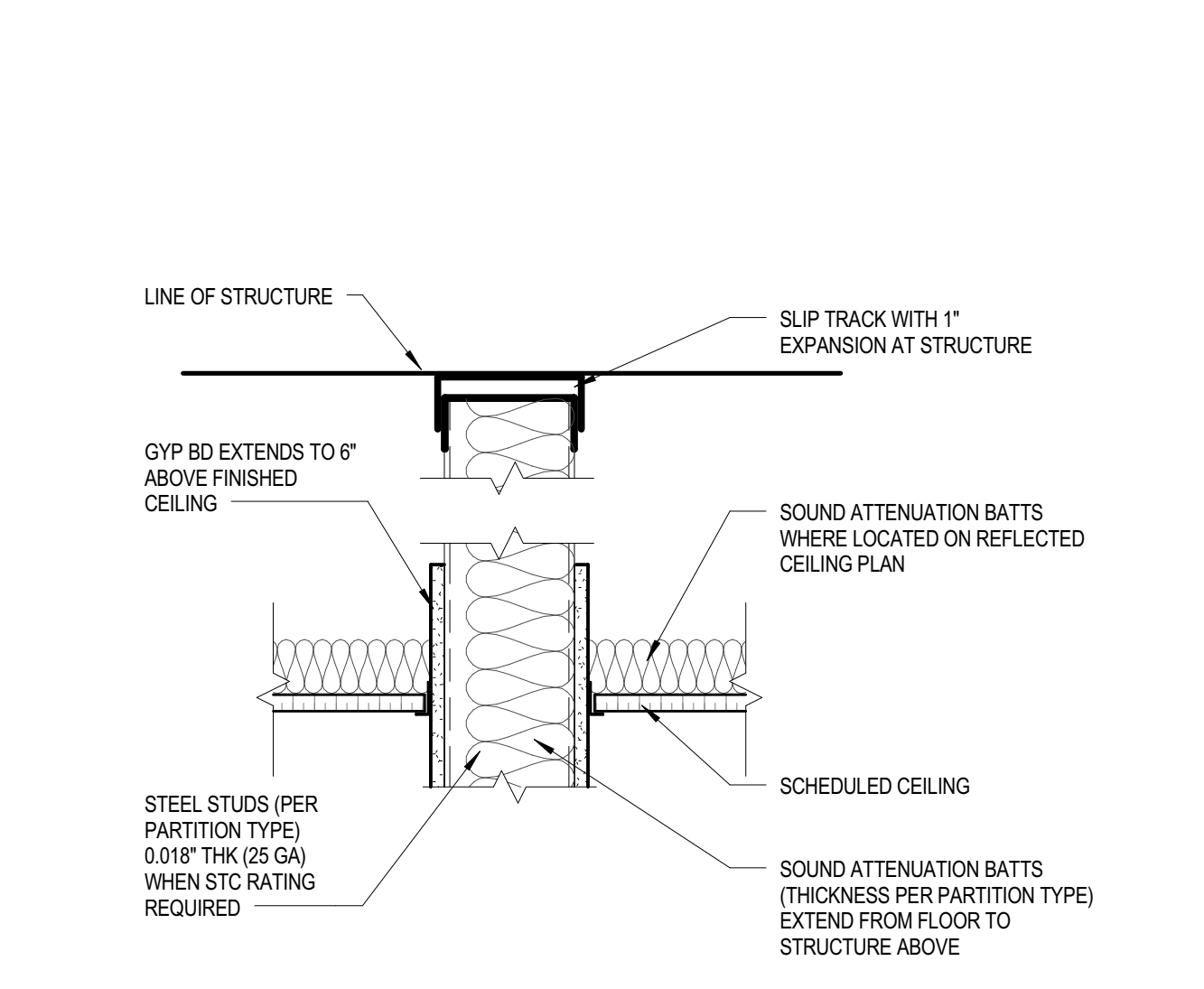
04 ACOUSTICAL PARTITION SECTION
1 1/2" = 1'-0"
@ DUCT PENETRATION THRU NON-FIRE RATED PARTITION THAT IS SOUND TRANSMISSION CLASSIFIED C1010.03-2C C1010.03-1K



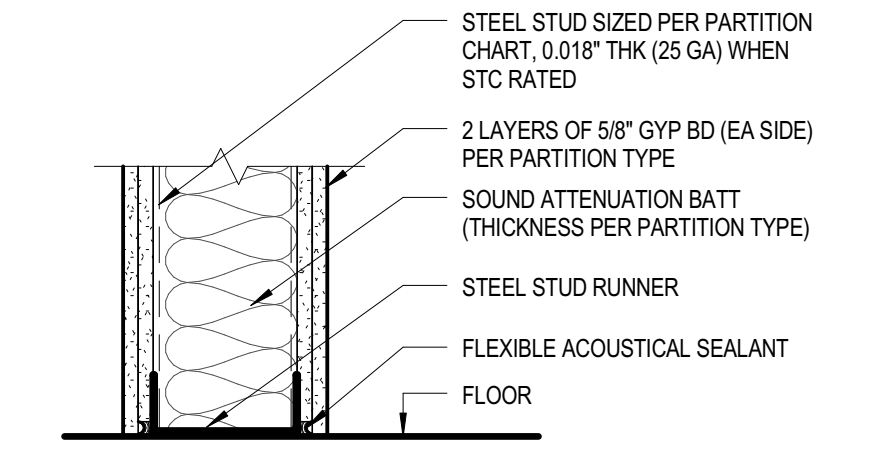
07 ACOUSTICAL PARTITION FLOOR SECTION
1 1/2" = 1'-0"
WHERE STUDS & GYPSUM BOARD STOP AT THE CEILING C1010.10-2C



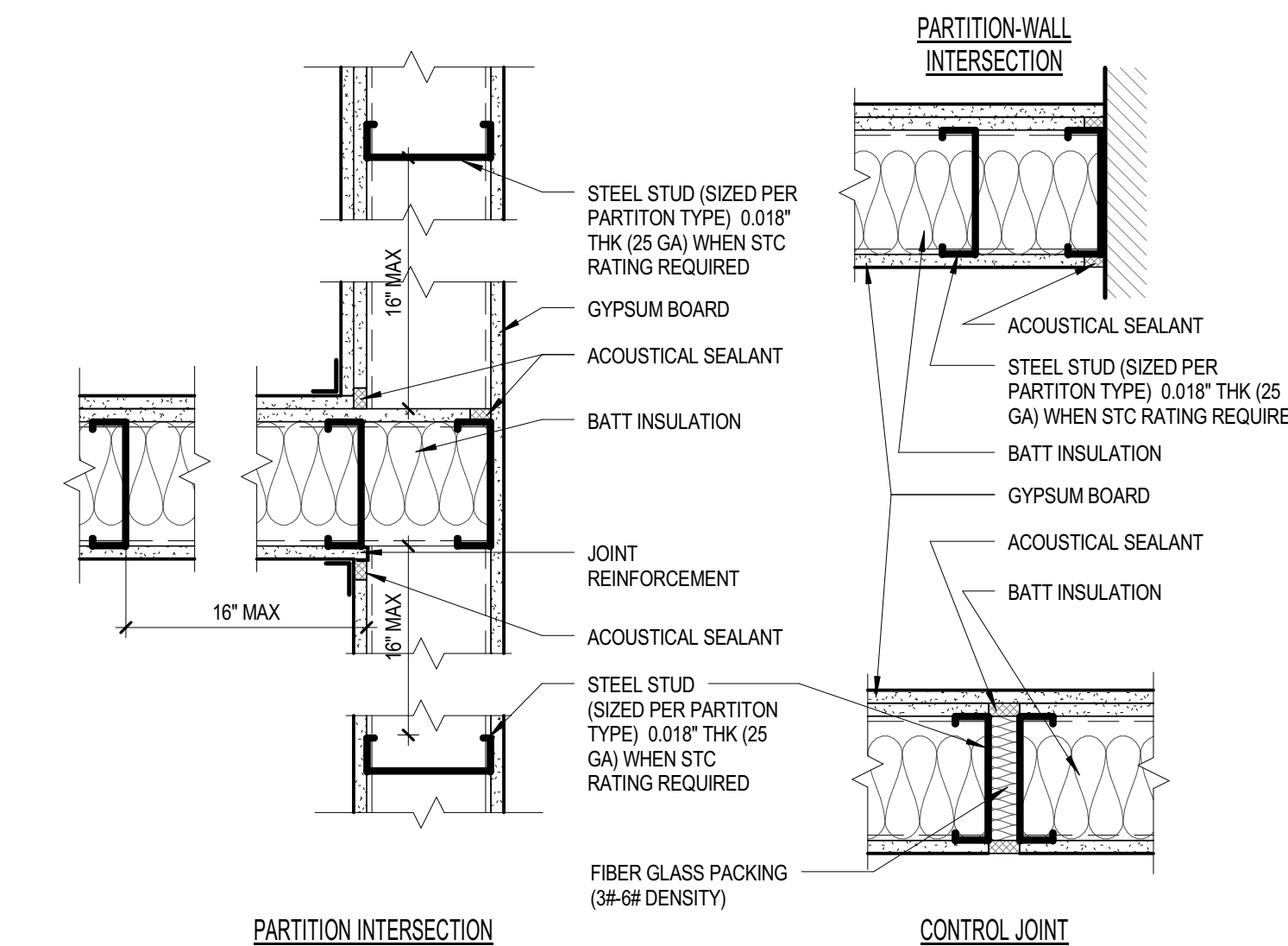
02 PARTITION HEAD SECTION
1 1/2" = 1'-0"
WHERE STUDS & GYPSUM BOARD STOP AT THE CEILING C1010.10-2C



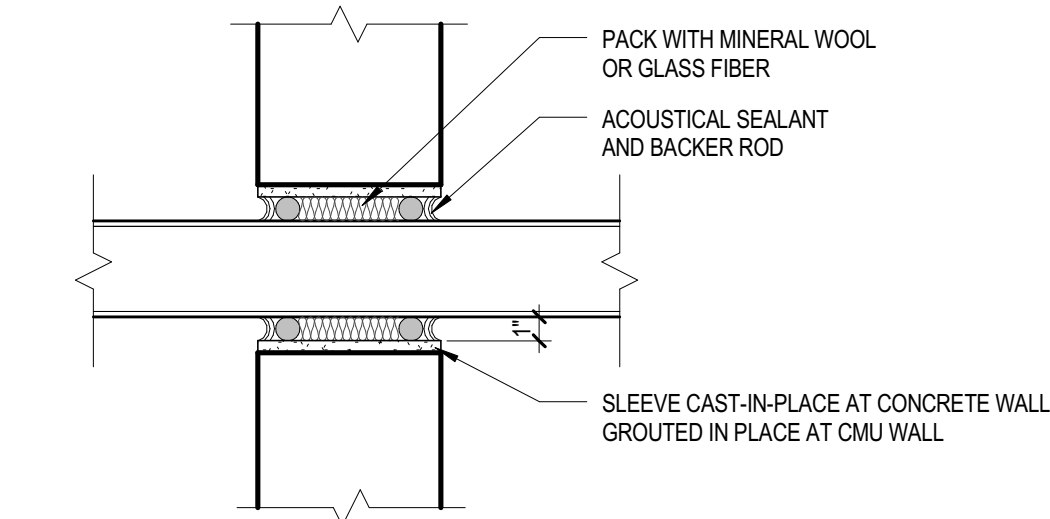
01 PARTITION HEAD SECTION
1 1/2" = 1'-0"
@ NON-RATED W/ GYP BD TO 6" ABOVE CEILING C1010.10-2B



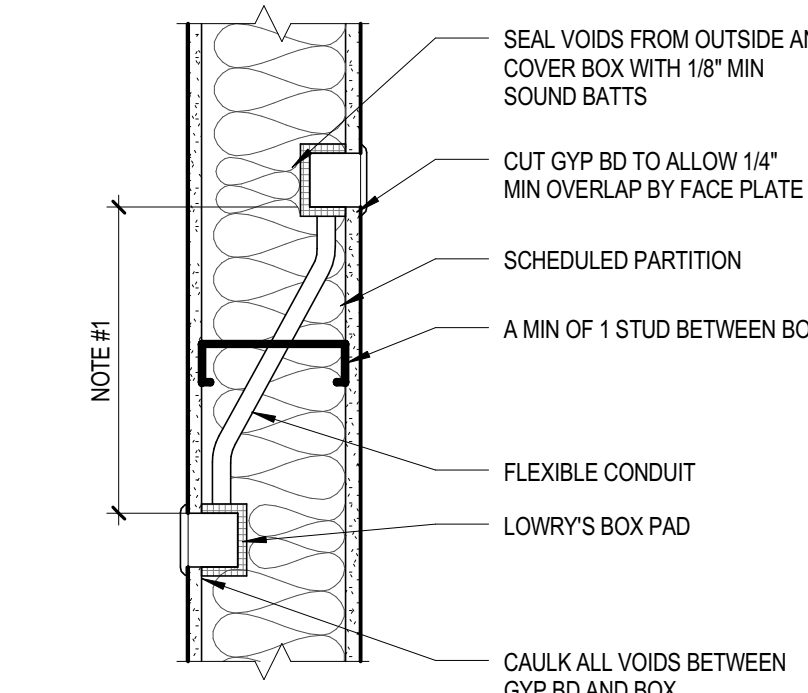
08 ACOUSTICAL PARTITION FLOOR SECTION
1 1/2" = 1'-0"
@ FLOOR OF 2-HR RATED PARTITION OF NON-RATED PARTITION WITH AN STC REINFORCEMENT C1010.02-1C



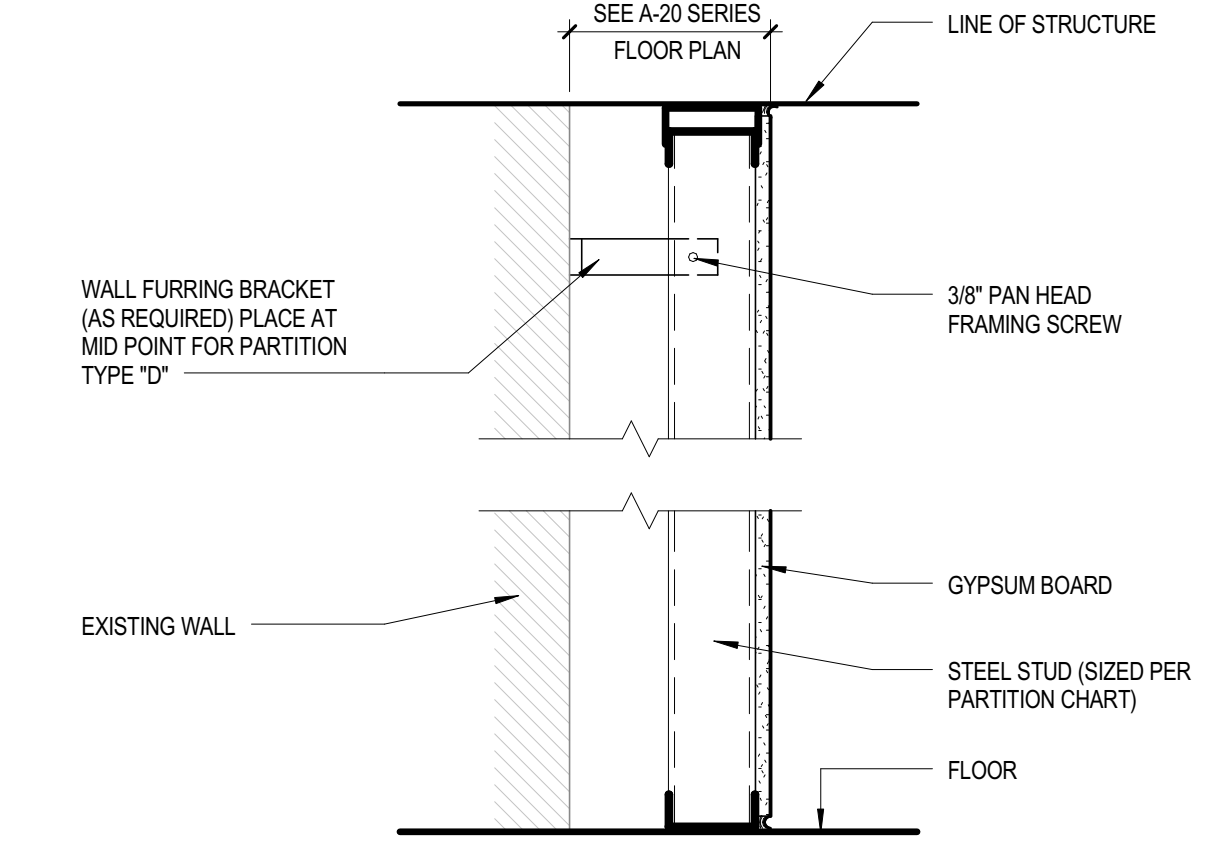
07 ACOUSTICAL PARTITION PLAN DETAILS
1 1/2" = 1'-0"
PARTITION INTERSECTIONS AND GYP CONTROL JOINTS C1010.02-1B



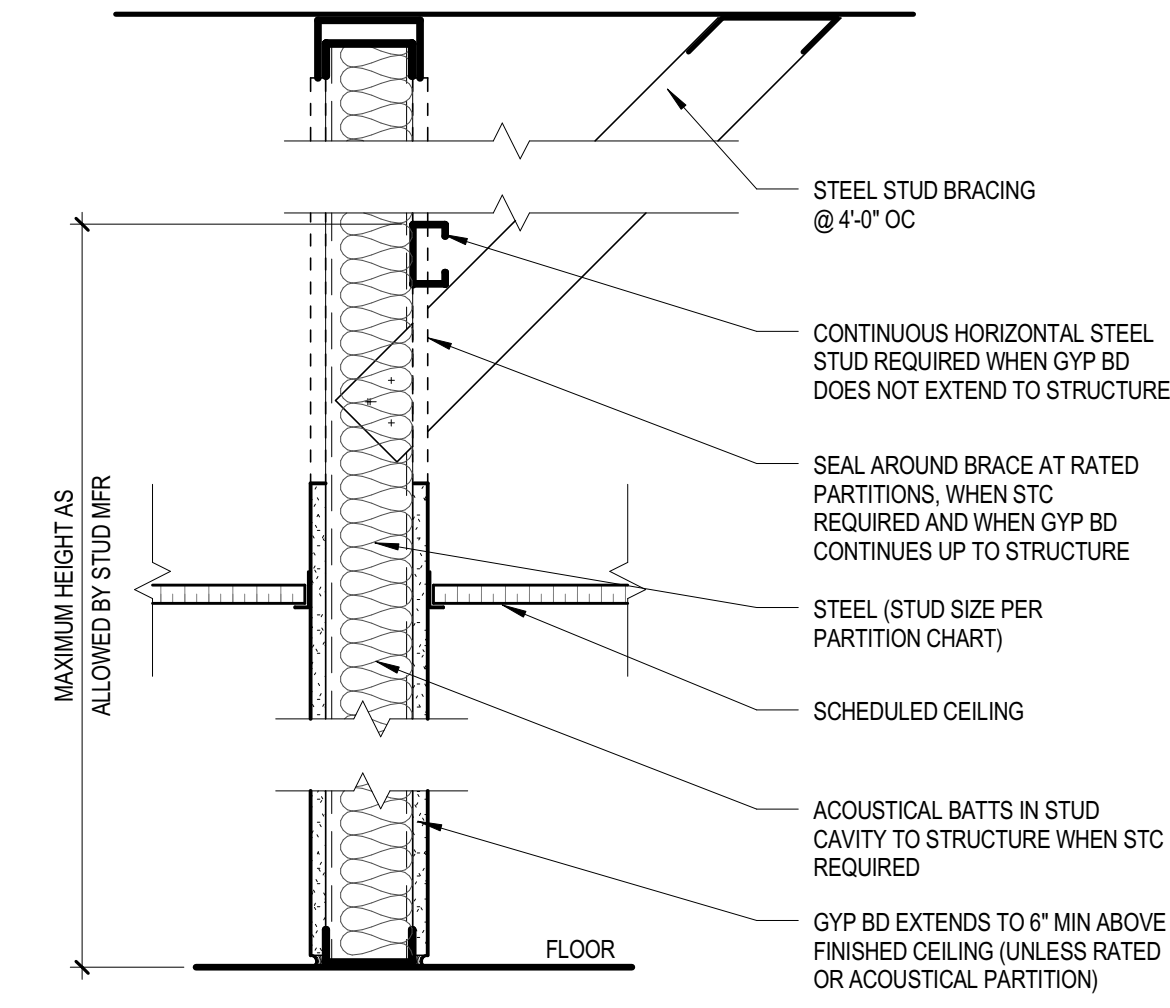
06 ACOUSTICAL PARTITION SECTION
1 1/2" = 1'-0"
@ PIPE PENETRATION THRU CONCRETE OR CMU C1010.10-3D



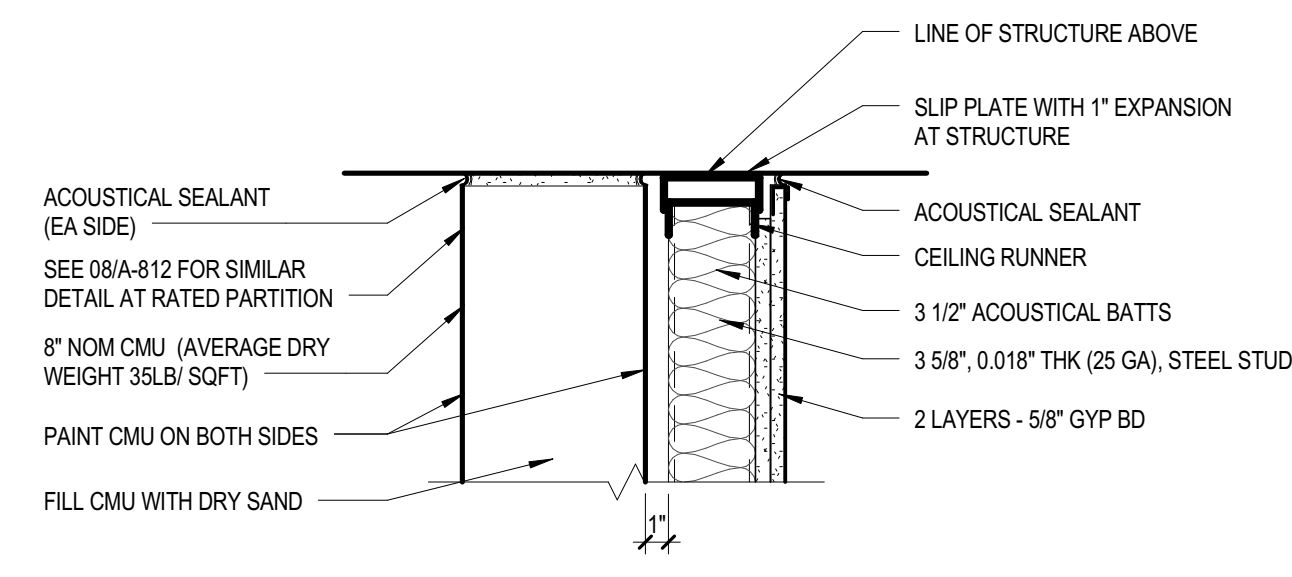
05 ACOUSTICAL PARTITION PLAN DETAIL
1 1/2" = 1'-0"
@ BACK BOX INSTALLATION DETAIL @ NON-FIRE RATED PARTITION C1010.02-1A



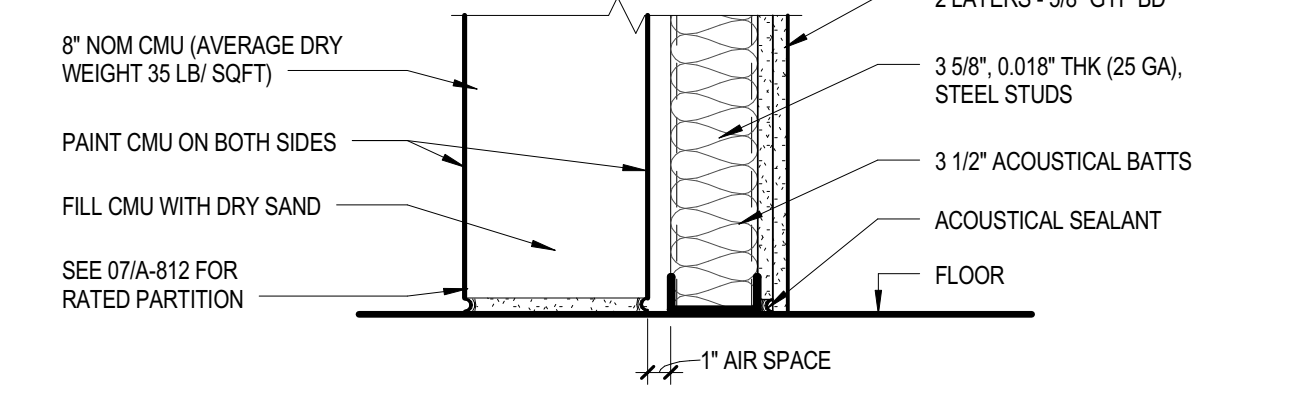
12 PARTITION BRACING SECTION
1 1/2" = 1'-0"
@ FREE STANDING FURRING C1010.10-2G



11 PARTITION BRACING SECTION
1 1/2" = 1'-0"
WHEN PARTITION EXCEEDS MAXIMUM HEIGHT ALLOWED BY STD MFR C1010.10-2F



10 ACOUSTICAL PARTITION SECTION (STC 65)
1 1/2" = 1'-0"
HEAD DETAIL @ COMPOSITE CMU / GYP BD C1010.10-3F



09 ACOUSTICAL PARTITION SECTION (STC 65)
1 1/2" = 1'-0"
FLOOR DETAIL @ COMPOSITE CMU / GYP BD C1010.10-3E