

**DALLAS PARK
AND
RECREATION
DEPARTMENT
ADMINISTRATIVE
OFFICES**

10031 E. NORTHWEST HWY
DALLAS, TX 75238

LANDSCAPE

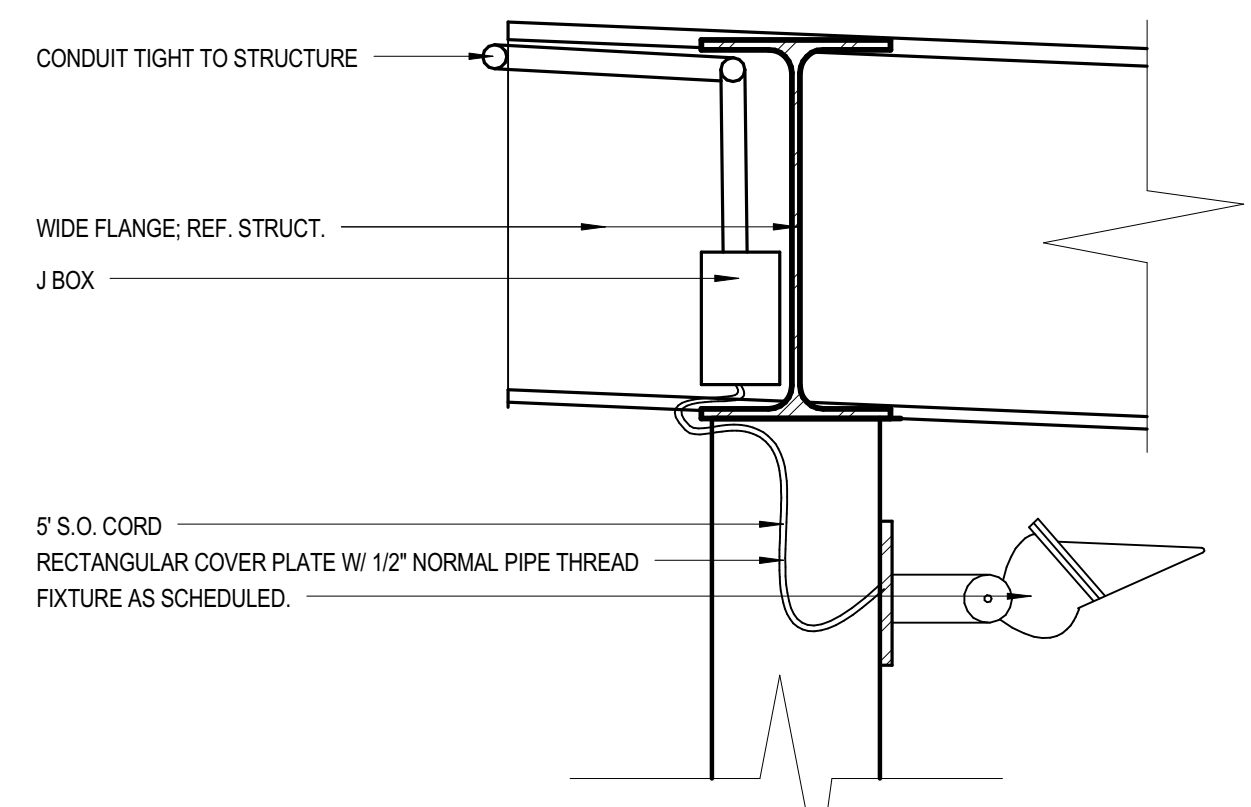
KEVIN SLOAN STUDIO
2400 EMPIRE CENTRAL, SUITE F
DALLAS, TX 75226
MATT STUBBS
(214) 459-1784

STRUCTURAL

PLG ENGINEERING
5445 Lu Serris SUITE 300
DALLAS, TX 75231
ANDY AAYERS
214.739.8100

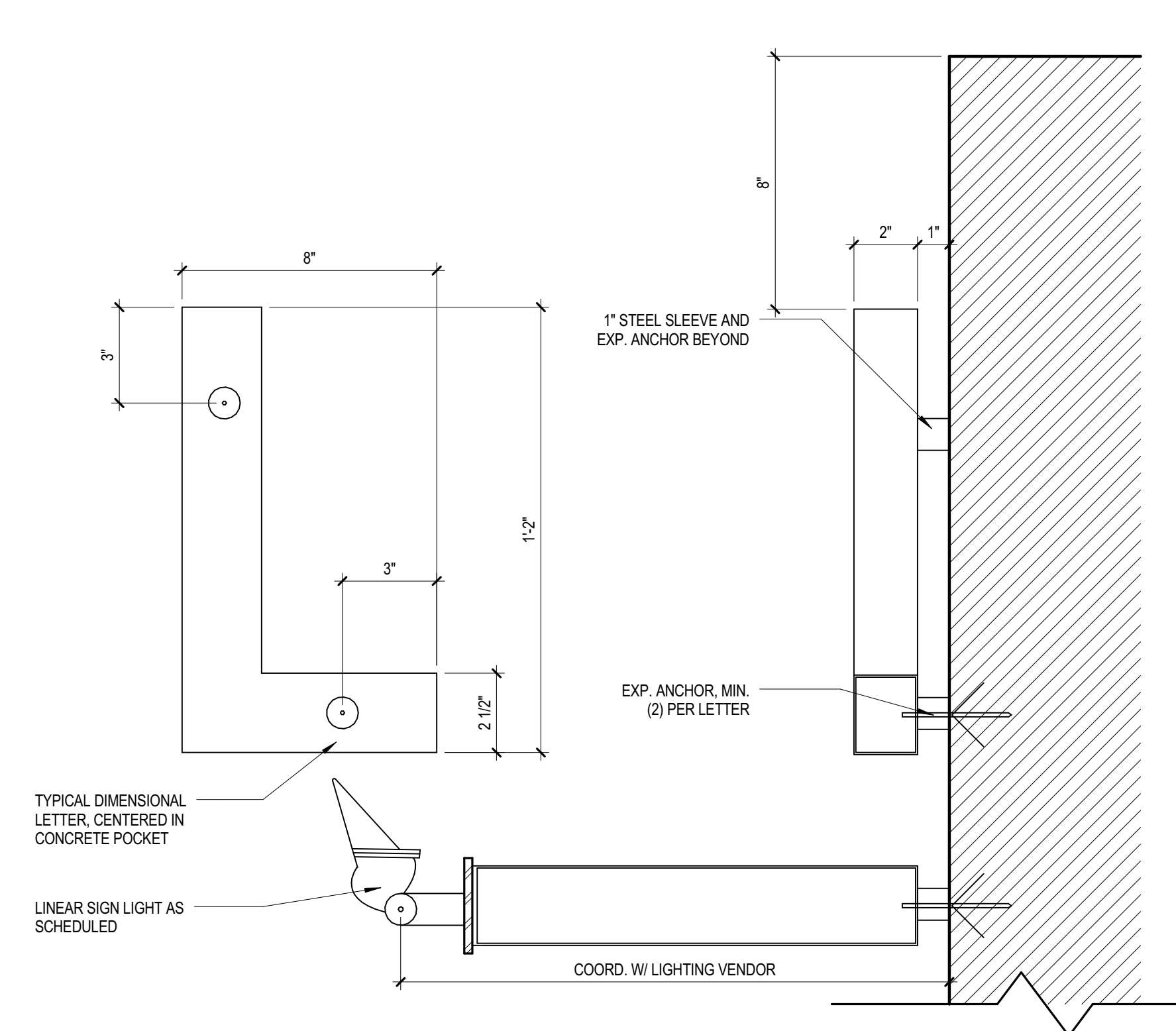
MEP

SW ASSOCIATES
5425 LBJ FVY
SUITE 300 - LB129
DALLAS, TX 75240
CARL HEWETT
214.397.0211



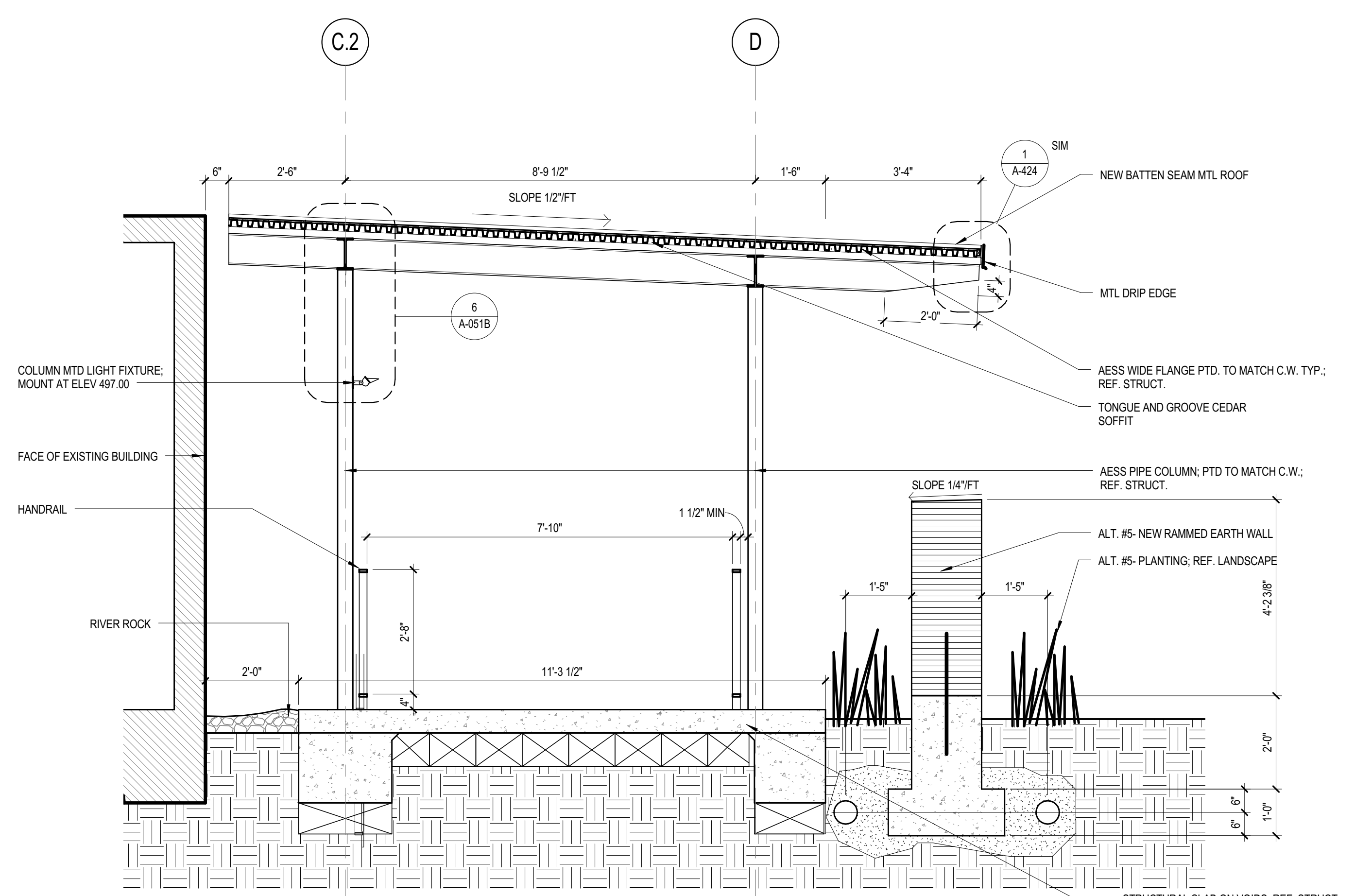
6 ALT. #6- COLUMN MTD UPLIGHT
3" = 1'-0"

NOTE: ENTIRE SCOPE TO BE CONSTRUCTED/ INSTALLED; AESS ALREADY INSTALLED



5 TYP. SIGNAGE LETTER
3" = 1'-0"

NOTE: ENTIRE SCOPE TO BE CONSTRUCTED/ INSTALLED



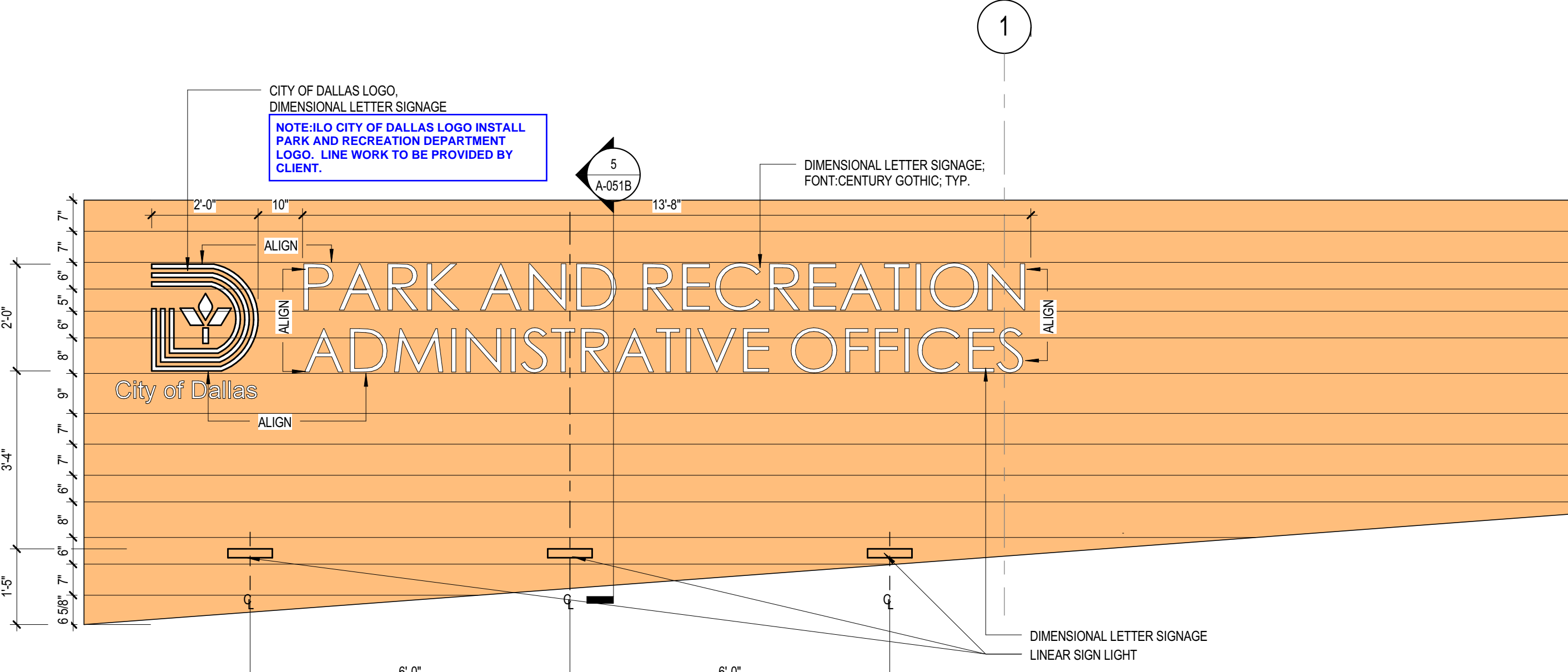
4 RAMMED EARTH & CANOPY
1/2" = 1'-0"

NOTE: ENTIRE SCOPE TO BE CONSTRUCTED/ INSTALLED; AESS ALREADY INSTALLED; STRUCTURAL SLAB ON VOID ALREADY INSTALLED; FOOTING FOR RAMMED EARTH WALL ALREADY INSTALLED.

3 RAMP HANDRAIL DETAIL
1/2" = 1'-0"

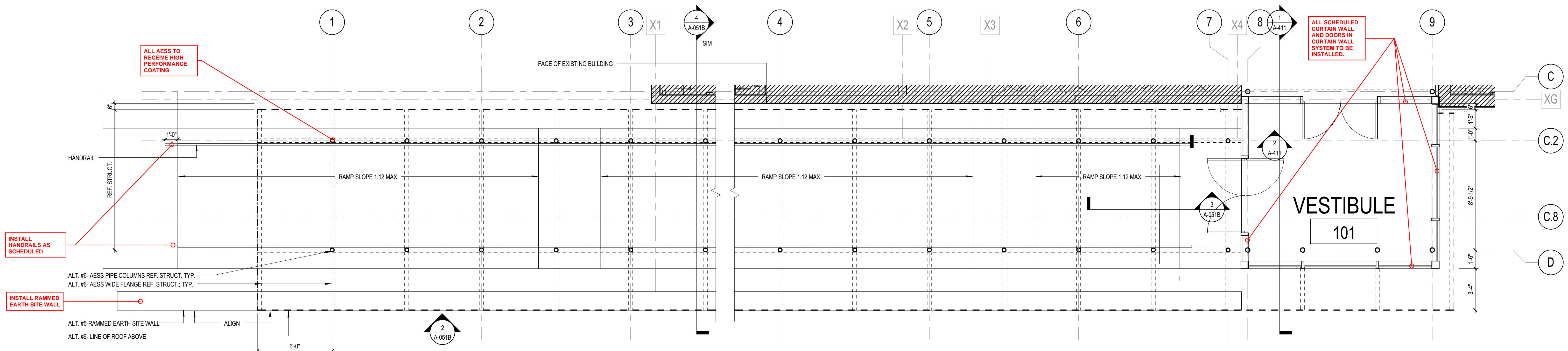
NOTE: ENTIRE SCOPE TO BE CONSTRUCTED/ INSTALLED

- COLOR SCHEDULE:**
BASIS-OF-DESIGN: DAVID COLORS
COLOR LIFT 1- SAN DIEGO BLUFF
COLOR LIFT 2- SANDSTONE
COLOR LIFT 3- SALMON
COLOR LIFT 4- PEBBLE
- NOTE: COLOR STRATIONS CONTINUOUS FOR LENGTH OF WALL
TOP LIFT-COLOR 4; COLORED CONC
COLOR LIFT 3; RAMMED EARTH
COLOR LIFT 4; RAMMED EARTH
COLOR LIFT 1; RAMMED EARTH
COLOR LIFT 2; RAMMED EARTH
COLOR LIFT 3; RAMMED EARTH
COLOR LIFT 4; RAMMED EARTH
COLOR LIFT 1; RAMMED EARTH
COLOR LIFT 3; RAMMED EARTH
COLOR LIFT 4; RAMMED EARTH
COLOR LIFT 1; RAMMED EARTH
COLOR LIFT 2; RAMMED EARTH
COLOR LIFT 3; RAMMED EARTH
COLOR LIFT 4; RAMMED EARTH



2 ALT. #5- RAMMED EARTH ELEVATION
1/2" = 1'-0"

NOTE: ENTIRE SCOPE TO BE CONSTRUCTED/ INSTALLED

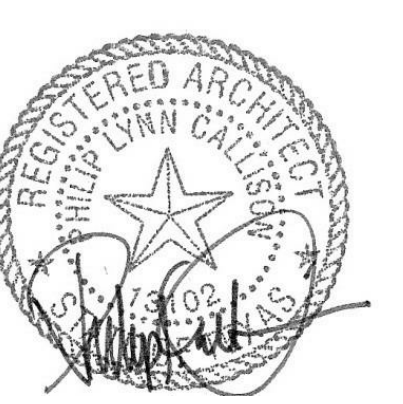


1 ENL. PLAN - RAMMED EARTH & CANOPY ALTERNATES
1/4" = 1'-0"

INSTALL HANDRAILS AS SCHEDULED

INSTALL RAMMED EARTH SITE WALL

ALL SCHEDULED CURTAIN WALL AND DOORS IN CURTAIN WALL SYSTEM TO BE INSTALLED.



Revisions

NO	ISSUE	DATE
Sheet Information		
Date	AUGUST 25, 2016	
Job Number	146054.000	
Drawn	VBW	
Checked	PLC	
Approved	PLC	
Title		
ARCHITECTURAL SITE DETAILS		

Sheet
A-051B