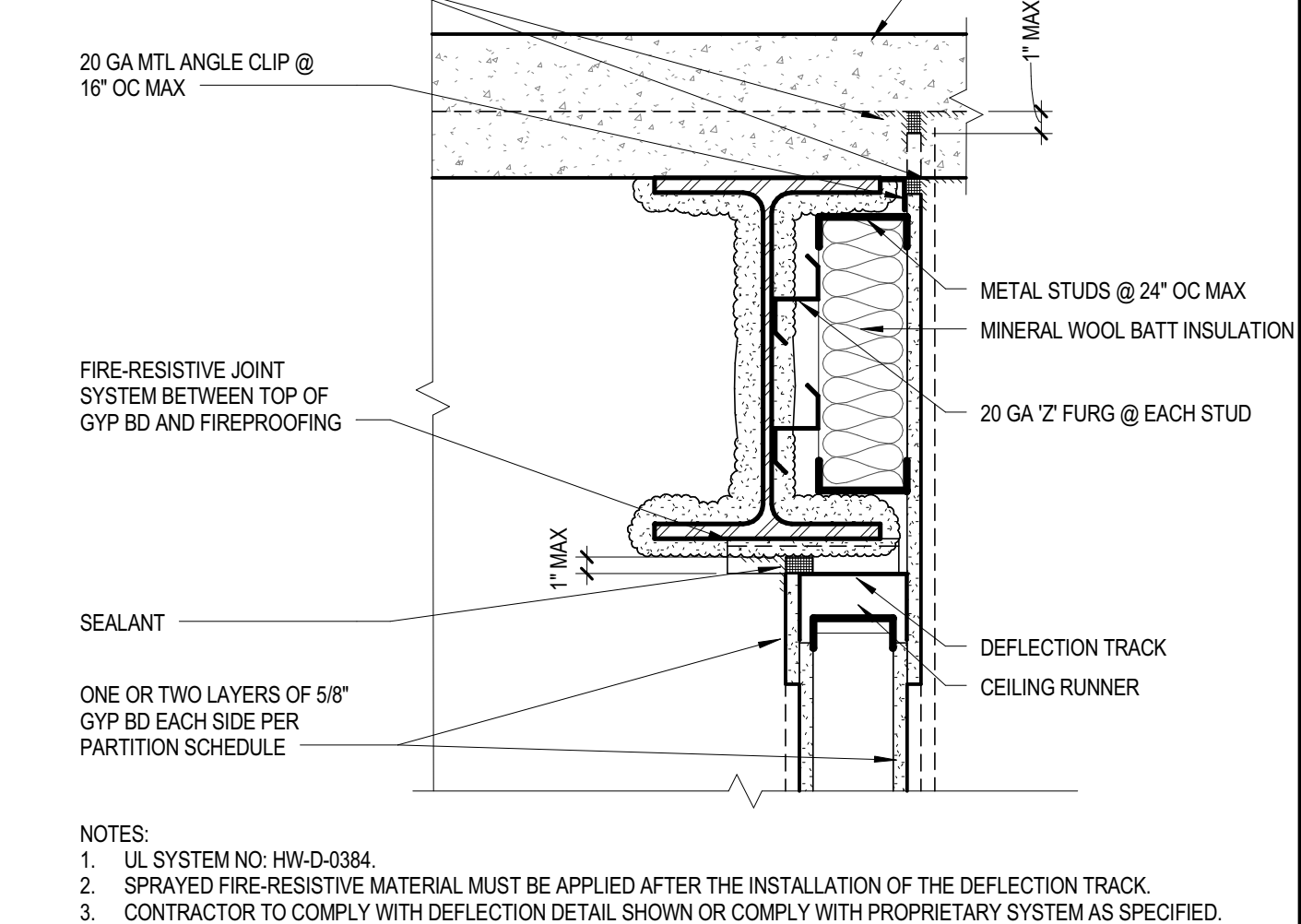
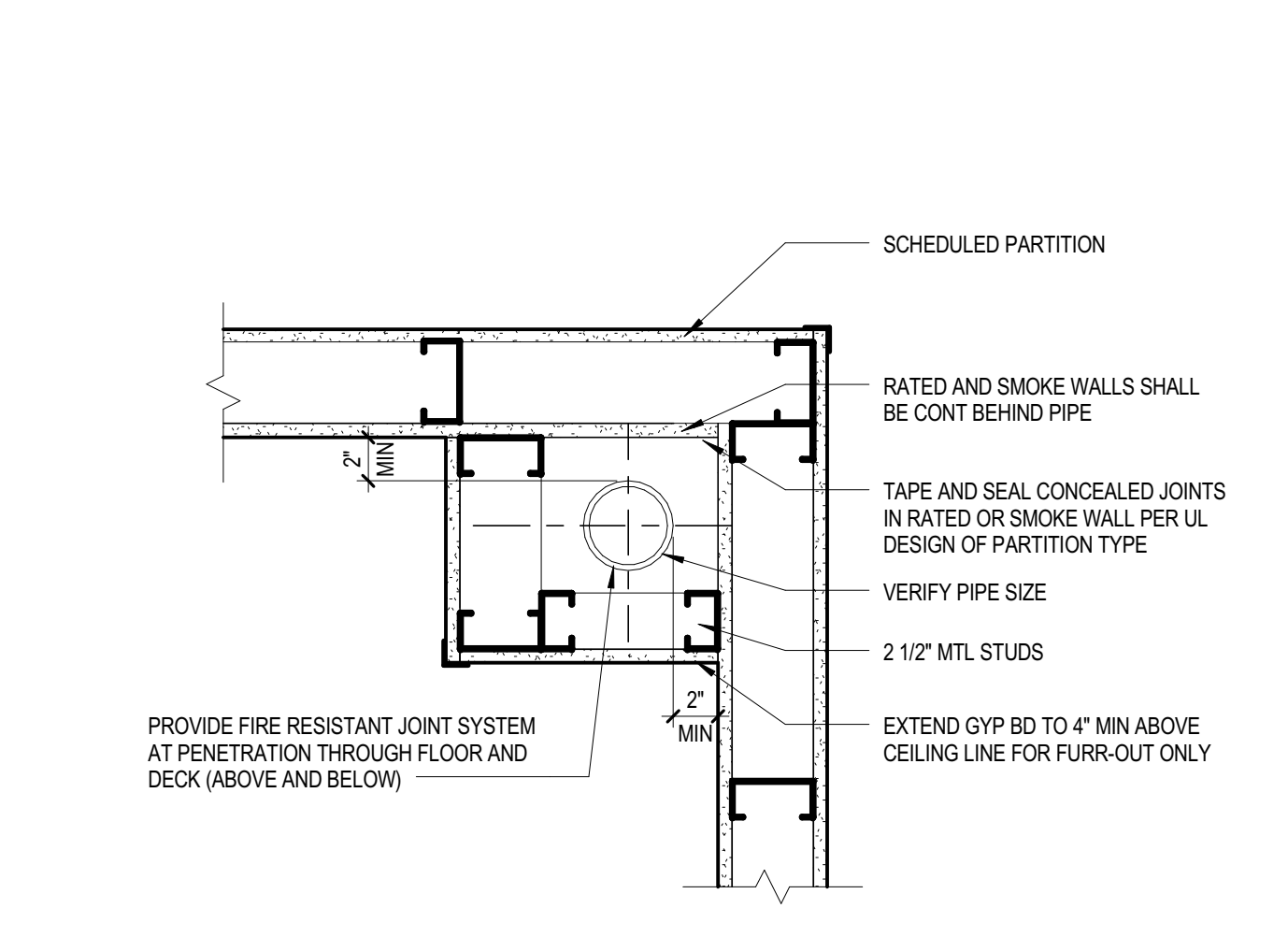
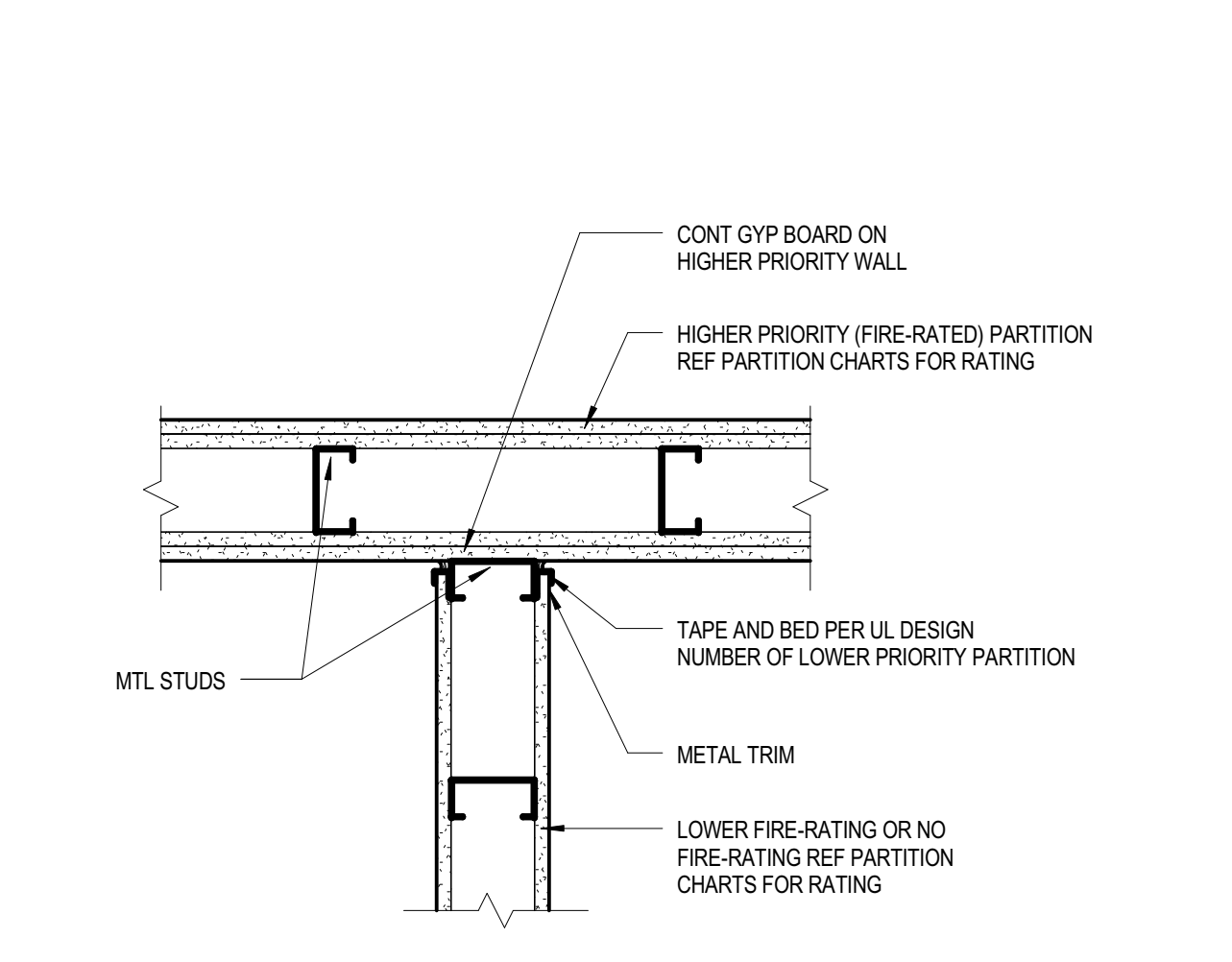
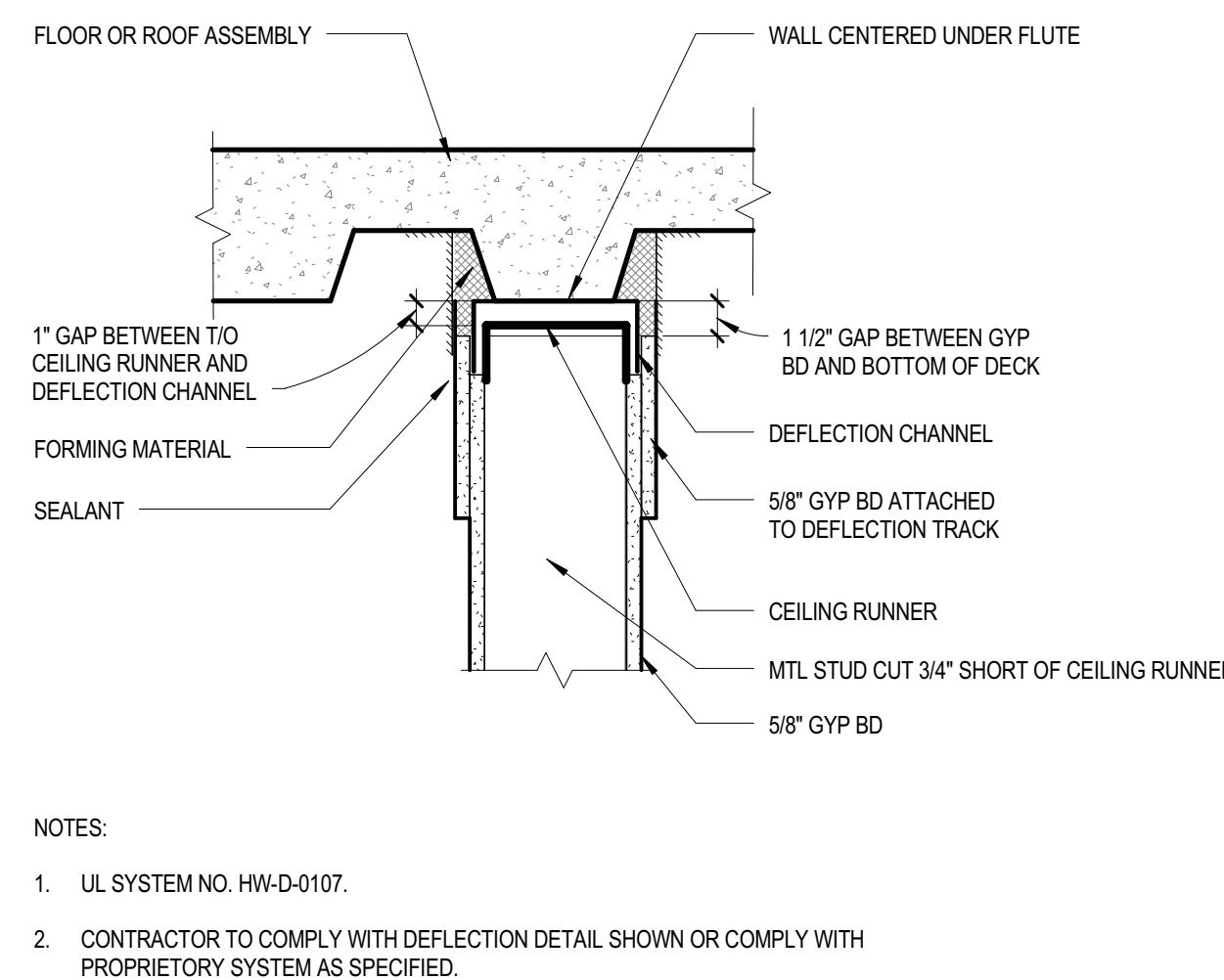
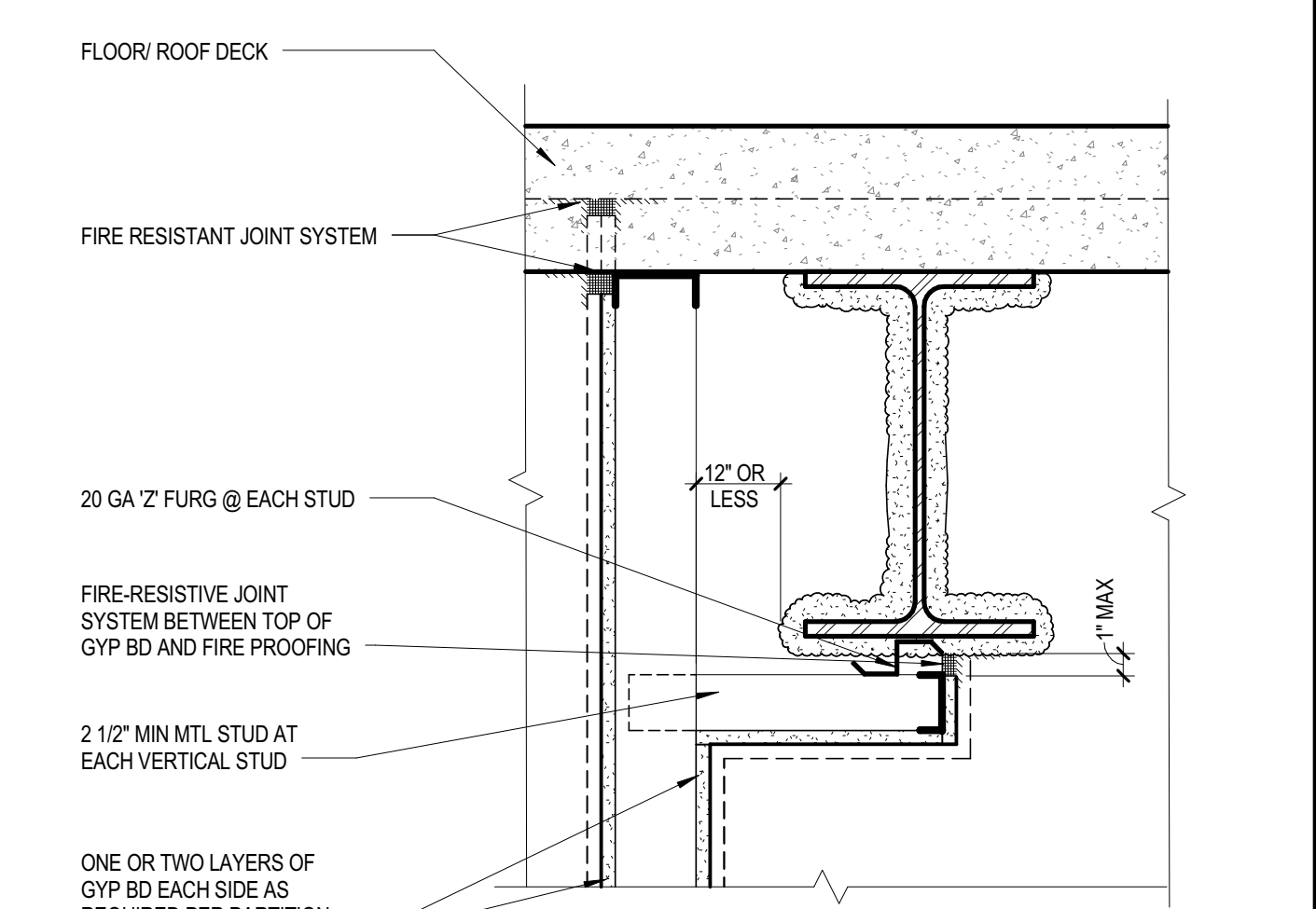
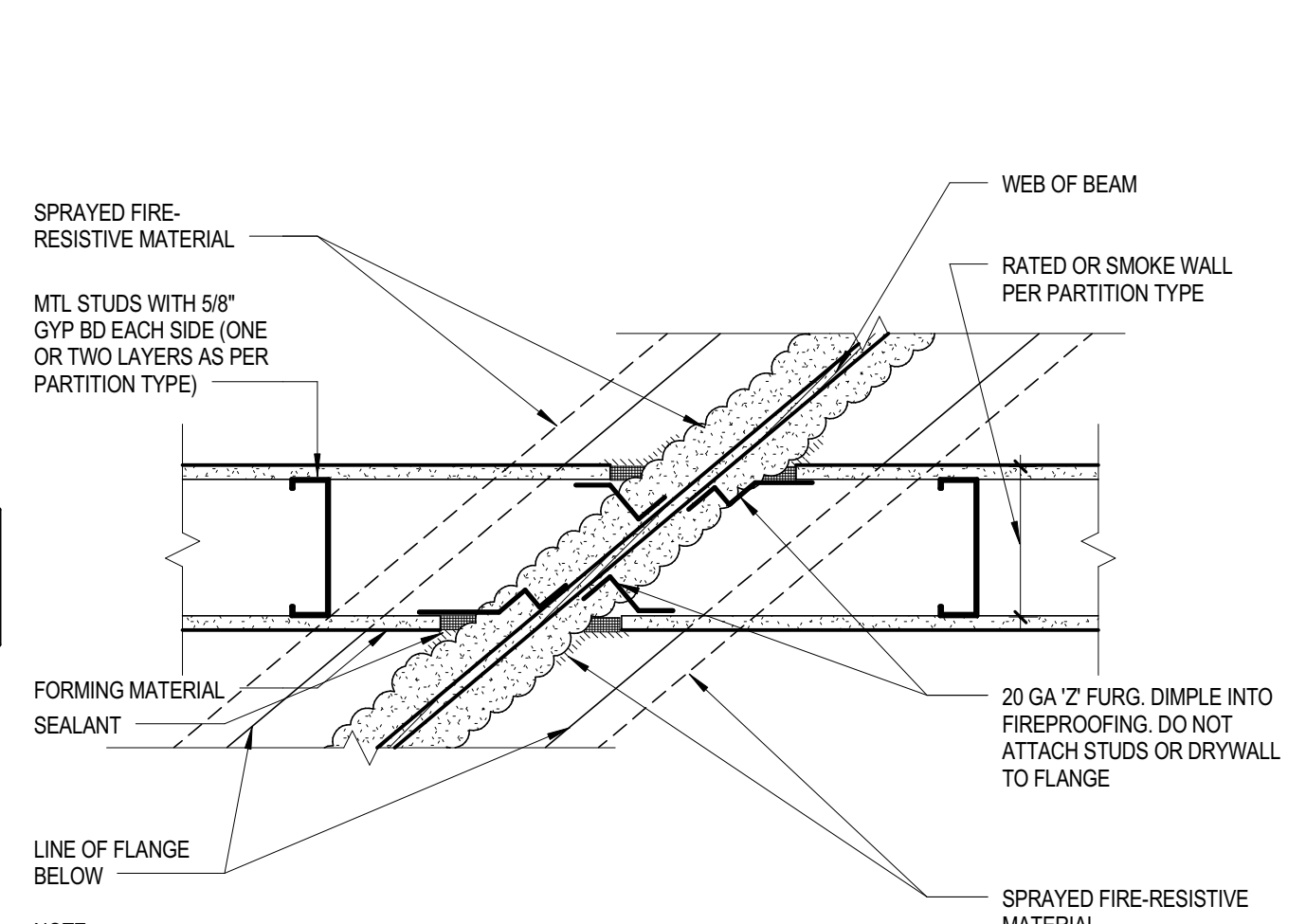
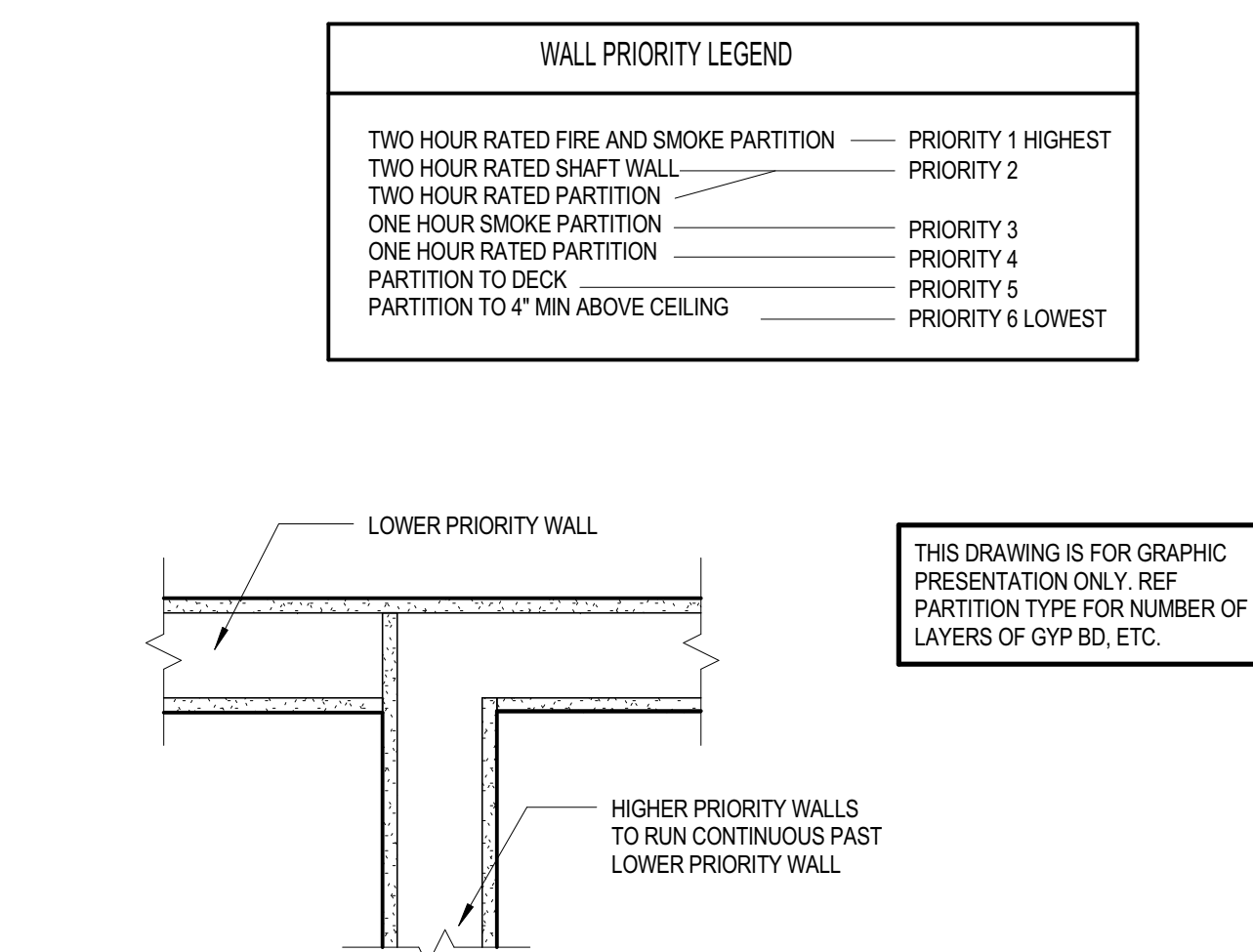
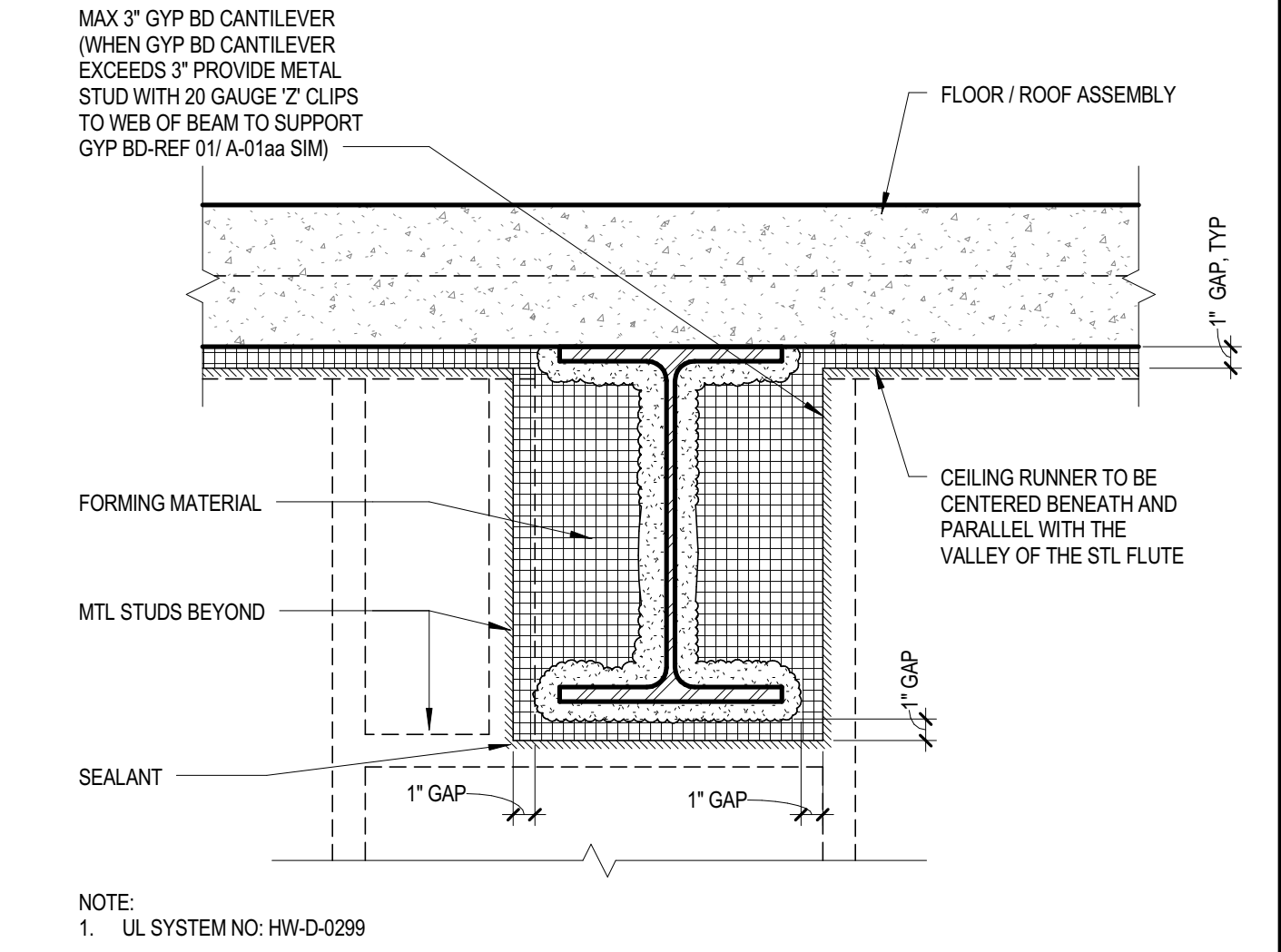
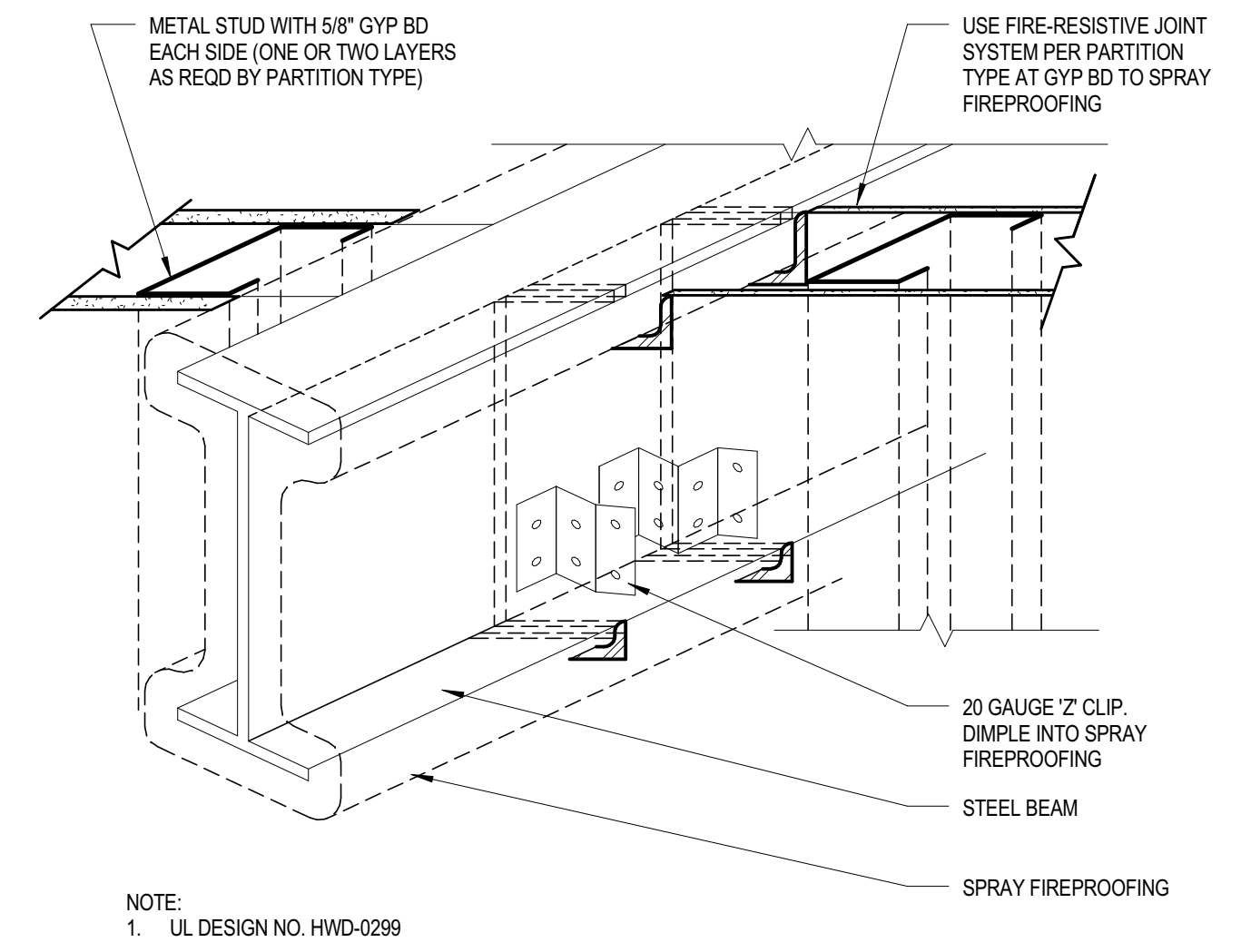
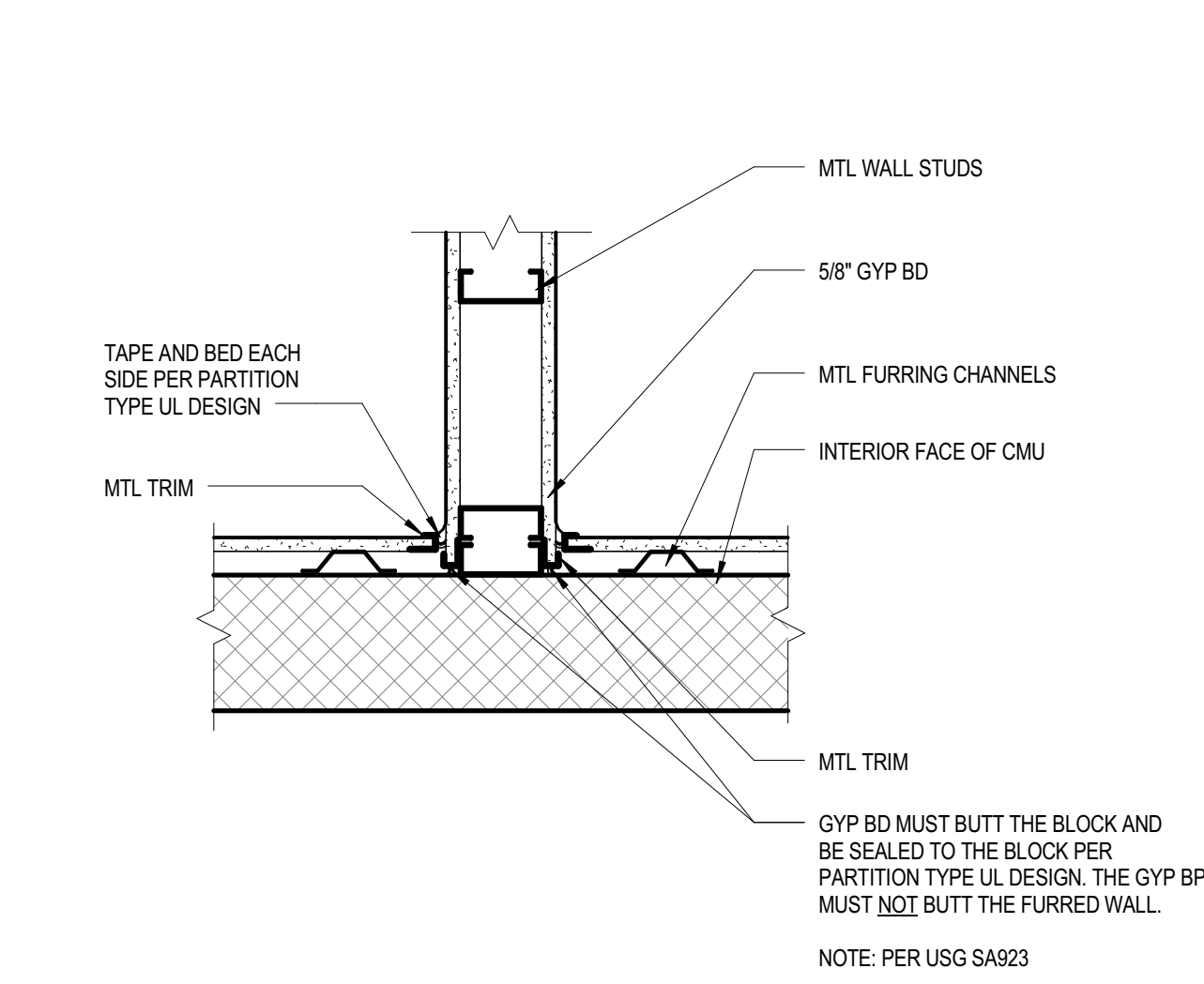
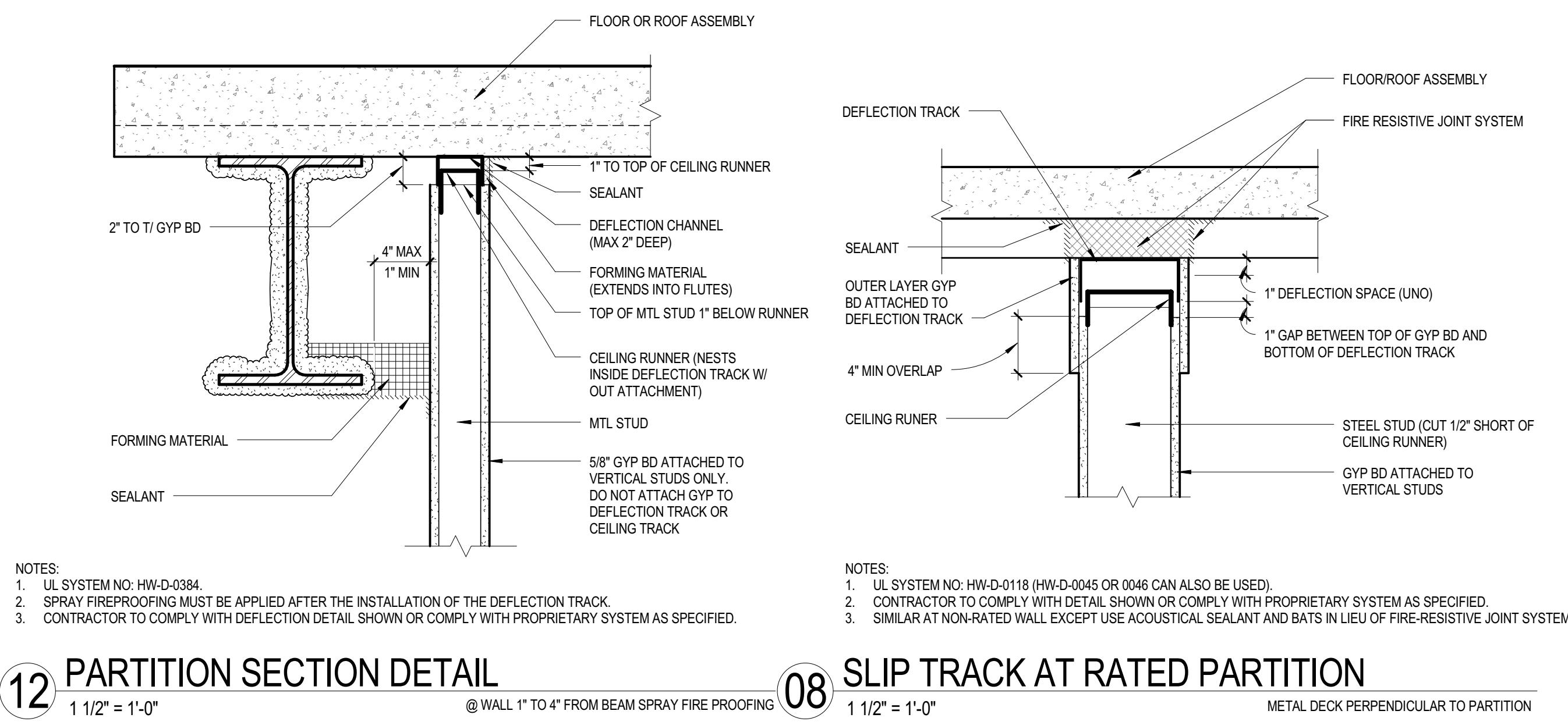


08/25/16
Revisions



NO.	ISSUE	DATE
Sheet Information		
Date	AUGUST 25, 2016	
Job Number	146054.000	
Drawn	VBW	
Checked	PLC	
Approved	RCG	

**CODE
COMPLIANCE
DETAILS**

Sheet
A-01a